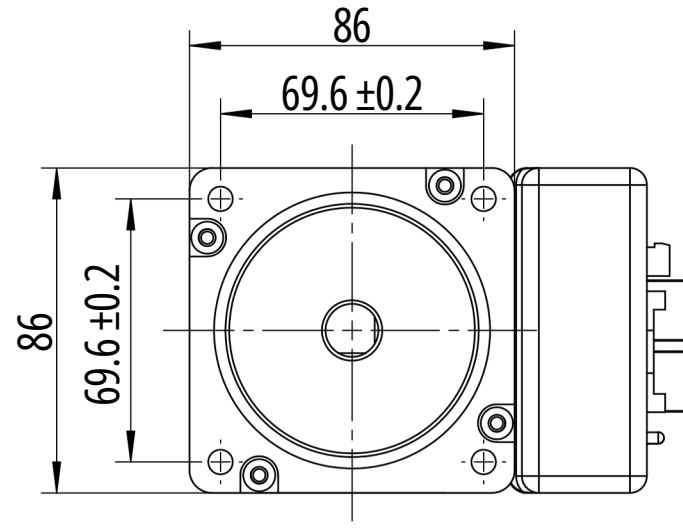
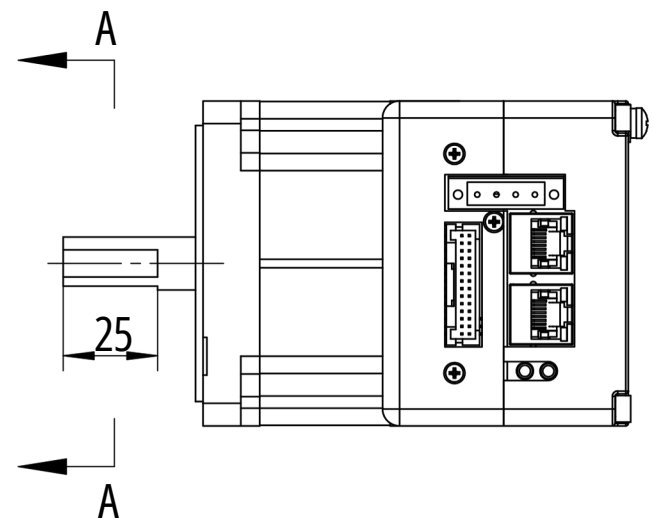
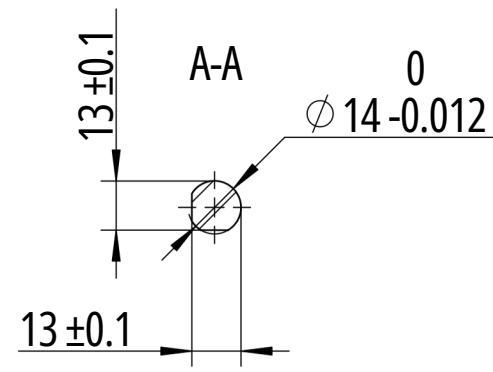


MOTOR	L (Unit: mm)
TSM34x-1EG	112.5
TSM34x-3EG	143
TSM34x-5EG	172.5
TSM34x-6EG	203



Allowable tolerance range Decimals: mm X.XXX = ± 0.01 X.XX = ± 0.10 X.X = ± 0.20 x = ± 0.50	A0	Change		TSM34 RS232	Drawing stage	Weight	Scale
	Mark	Order No.	Date				
	Design	Process		Sheet	1/1		
	Check	Verify					
	Approve						