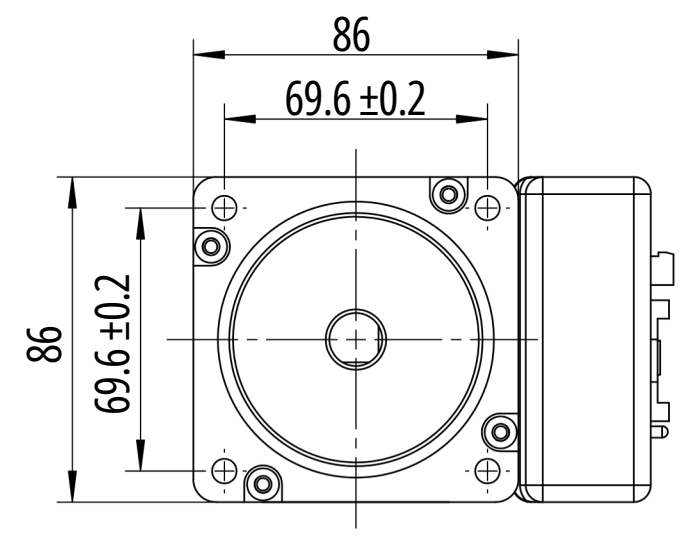
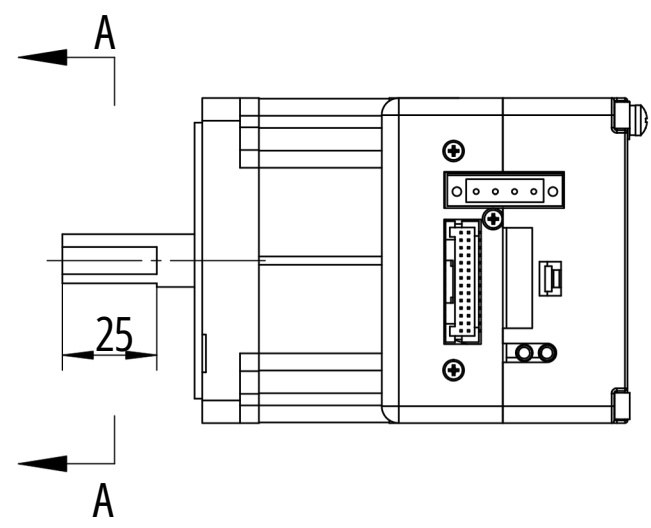
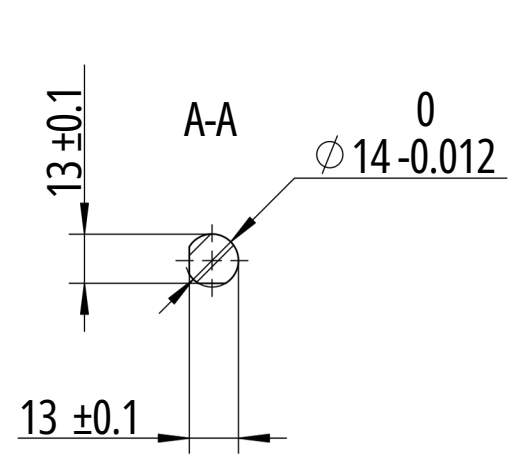


| MOTOR      | L (Unit: mm) |
|------------|--------------|
| TSM34x-1EG | 112.5        |
| TSM34x-3EG | 143          |
| TSM34x-5EG | 172.5        |
| TSM34x-6EG | 203          |



| Allowable tolerance range   |         |           |      | TSM34 Ethernet |        |       |
|---|---------|-----------|------|----------------|--------|-------|
| Decimals: mm<br>X.XXX = ± 0.01<br>X.XX = ± 0.10<br>X.X = ± 0.20<br>x = ± 0.50 | A0      | Change    |      | Drawing stage  | Weight | Scale |
|   | Mark    | Order No. | Date |                |        |       |
|   | Design  | Process   |      |                |        |       |
|   | Check   | Verify    |      |                |        |       |
|   | Approve |           |      |                |        |       |
|   |         |           |      | D              |        |       |
|   |         |           |      | Sheet          |        | 1/1   |