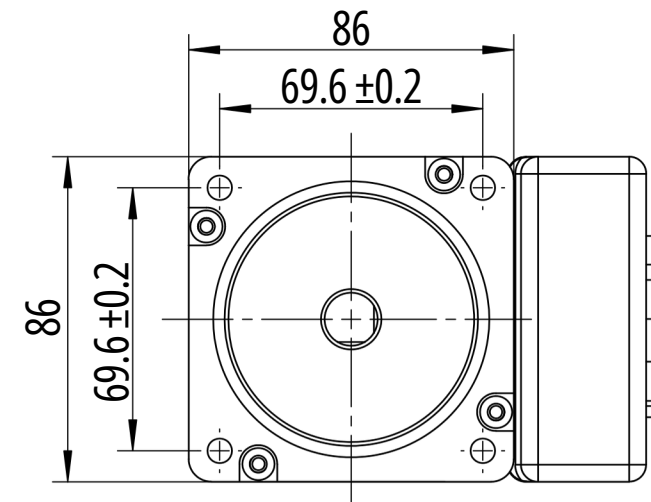
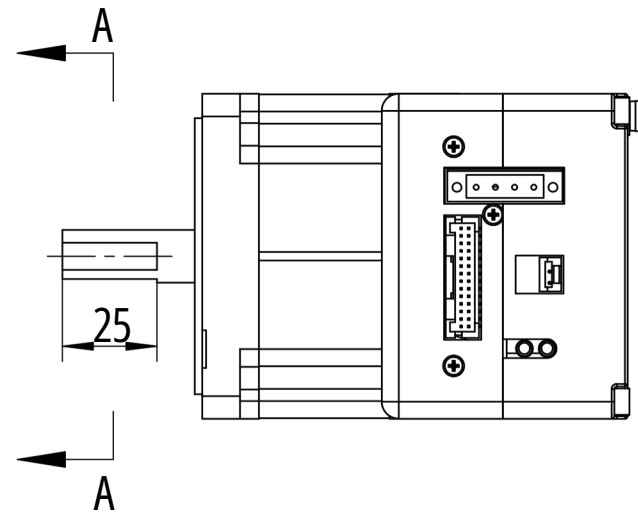
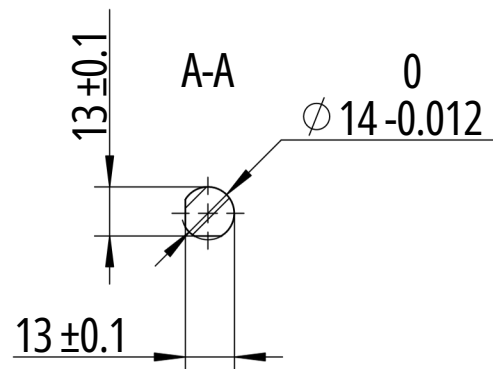


MOTOR	L (Unit: mm)
TSM34x-1RG / 1CG	112.5
TSM34x-3RG / 3CG	143
TSM34x-5RG / 6CG	172.5
TSM34x-6RG / 6CG	203



Allowable tolerance range				TSM34 RS485/CANopen		
Decimals: mm X.XXX = ± 0.01 X.XX = ± 0.10 X.X = ± 0.20 x = ± 0.50	A0	Change				
	Mark	Order No.	Date	Drawing stage		
	Design	Process		D	Weight	Scale
	Check	Verify		Sheet		1/1
	Approve					