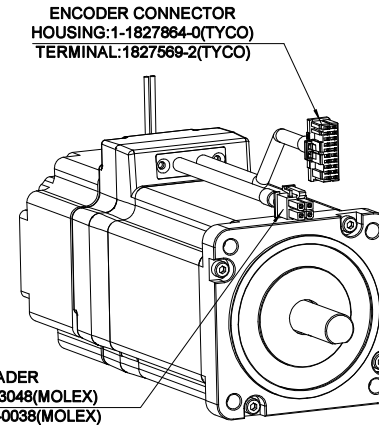


BRAKE SPECIFICATION TABLE	
VOLTAGE	24 VDC
TORQUE	6 N.m
POWER	8 W
REACTION TIME	50 ms
LIFETIME	10000 (WITHIN RATINGS)
MAX SPEED	5 KRPM
INSULATION CLASS	Class B



MOTOR SPECIFICATIONS			
STEP ANGLE	1.8°	HOLDING TORQUE	7 N·m
STEP ACCURACY	±0.05°	MAX AXIAL LOAD	65 N PUSH, 155 N PULL 1
OPERATING TEMP	0 TO 40°C	MAX RADIAL LOAD	260 N @ SHAFT END 1
STORAGE TEMP	-20 TO 50°C	RADIAL PLAY	0.02 mm MAX (500gf RADIAL LOAD)
TEMP RISE	80 °C MAX	END PLAY	0.2 mm MAX (50N AXIAL LOAD)
ROTOR INERTIA	2200 g·cm ²	SHAFT RUNOUT	0.05 mm
IP RATING	IP20	WEIGHT	5.05 Kg
		APPROVALS	CE, RoHS

NOTES:

- 1 1. SHAFT LOADS FOR L₁₀ LIFE OF 20,000 HOURS AT 1000 RPM. RADIAL LOAD AT END OF SHAFT.

Unit mm
Third Angle Method

Tolerances for linear and angular dimensions without individual tolerance indications
GB/T 1804-m eqv ISO 2768-1:m

Geometrical tolerance for features without individual tolerance indications
GB/T 1184-K eqv ISO 2768-2:K

UNLESS OTHERWISE SPECIFIED



B1		Update Drawing	2025.03.06
B0		Update Drawing	2025.03.05
A1		Preliminary	2025.01.20
REV.	Sign	Quality	ECN NO. Date
Design			Technology
Standard			Audit
Check			Approve
Marketing Dep	<input type="checkbox"/>		Date

AM34SS5DGA-N-BR01		4696351003273	
Stage	Quality	Scale	
D		1:2	
Sheet		2 of 2	
Shanghai AMP&MOONS' Automation Co., Ltd			

Item Number
A3538