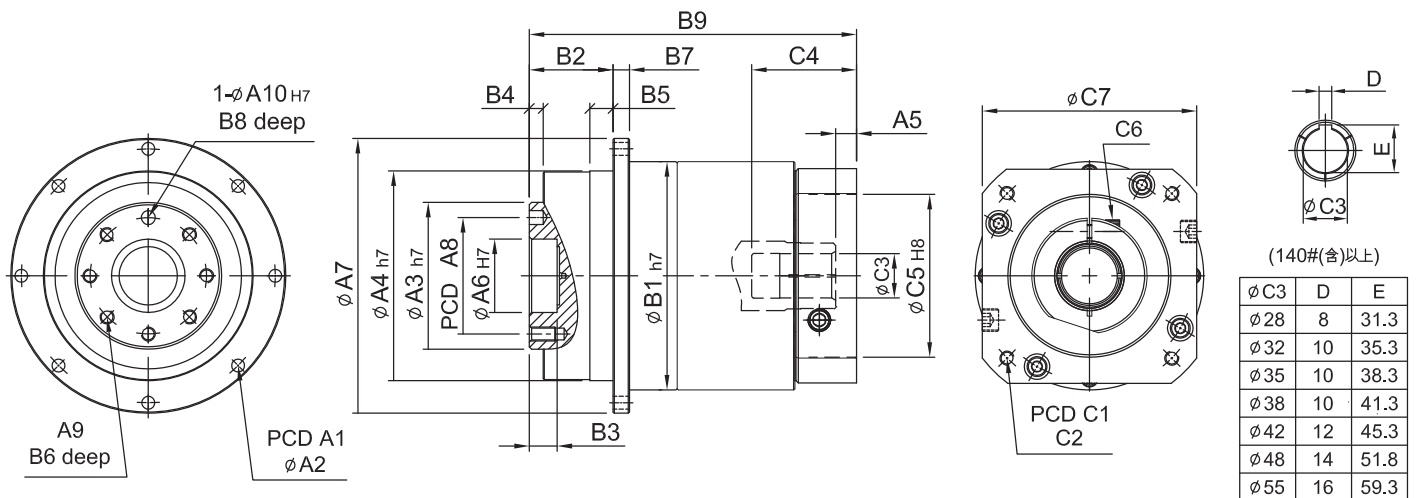
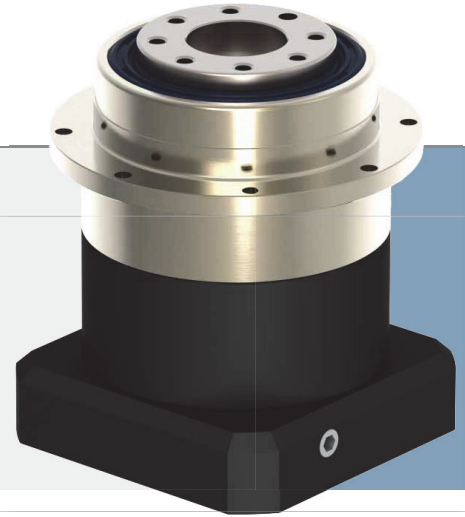


SERVOBOX Planetary Reducers

MODEL : SD

單段 1-Stage

RATIO : 4, 5, 7, 10



unit: mm

Model Code	47	64	90	110	140	200	255
A A1	67	79	109	135	168	233	280
A2	8-3.4	8-4.5	8-5.5	8-5.5	12-6.6	12-9.0	16-13.5
A3	28	40	63	80	100	160	180
A4	47	64	90	110	140	200	255
A5	5	6	9·23.5	10·20	10	11.5·13.5	10.5·12.5
A6	12	20	31.5	40	50	80	100
A7	72	86	118	146	179	248	300
A8	20	31.5	50	63	80	125	140
A9	4 - M3 x P0.5	7 - M5 x P0.8	7 - M6 x P1.0	11 - M6 x P1.0	11 - M8 x P1.25	11 - M10 x P1.5	12 - M16 x P2.0
A10	3	5	6	6	8	10	12
B B1	59	70	98	125	156	212	255
B2	19.5	19.5	30	29	38	50	66
B3	5	7	12	12	12	16	20
B4	3	4	6	6	6	8	12
B5	5	6	10	10	15	15	20
B6	6.5	8	12	12	16	22	32
B7	4	5	7	8	10	12	18
B8	4	6	6	7	7	10	10
B9	74.7	84.5·92.5	133·147.5	153·173	186.5	250.5·252.5	263·265
C C1	46·60·63	70·75·90	90·100·115·145	115·145·165	145·165·215	200·215·265	200·265·300
C2	M3·M4·M5	M4·M5·M6	M5·M6·M8	M6·M8·M10	M8·M10·M12	M10·M12·M16	M12·M16
C3	8·11	11·14·16·19	16·19·22·24	24·28·32·35	28·32·35·38	35·38·42·48·55	38·42·48·55
C4	32	34·41.5	58.5·73	67·82	84.5	114.5·116.5	115.5·117.5
C5	30·40·50	50·60·70	70·80·95·110	95·110·130	110·130·180	114.3·180·230	114.3·230·250
C6	M4 x P0.7	M5 x P0.8	M6 x P1.0	M8 x P1.25	M10 x P1.5	M10 x P1.5	M10 x P1.5
C7	46·55	64·70·80	92·110·130	122·130·150	146·150·190	182·200·250	222·250·265