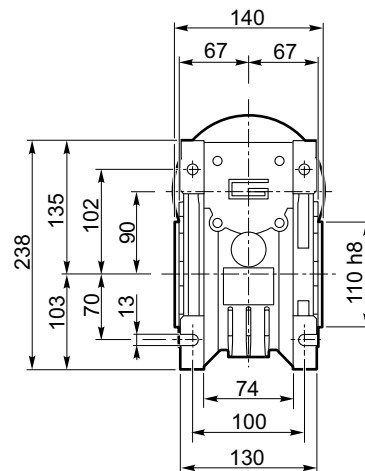
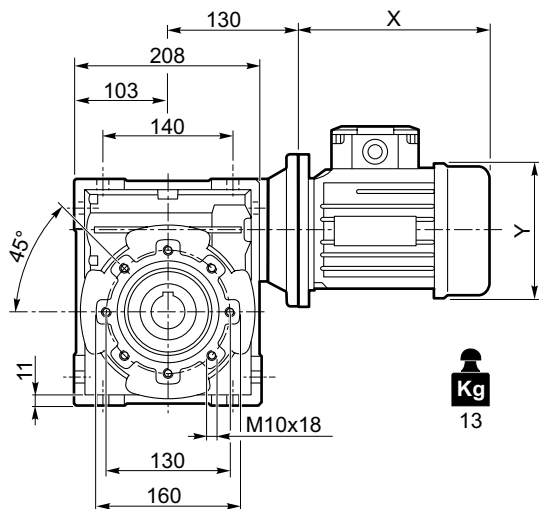


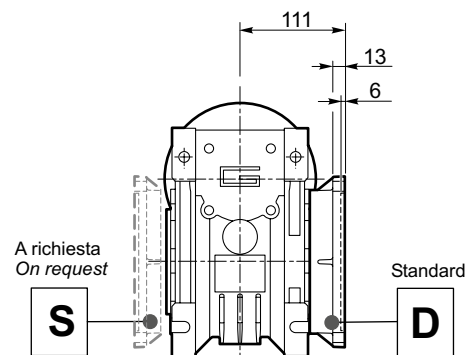
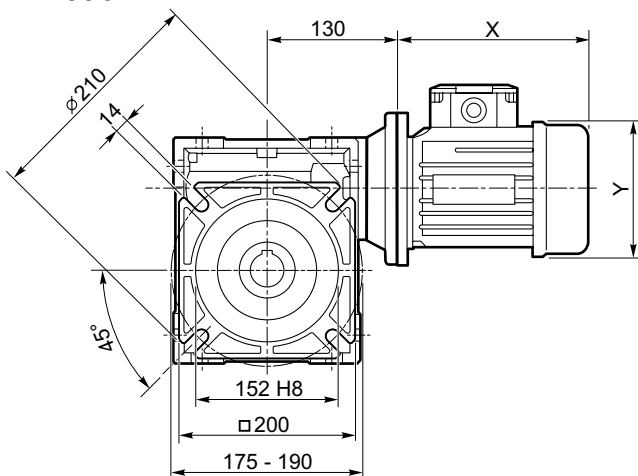
Dimensioni

Dimensions

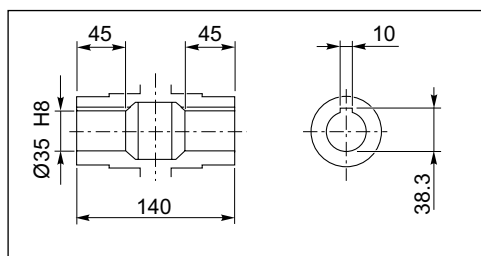
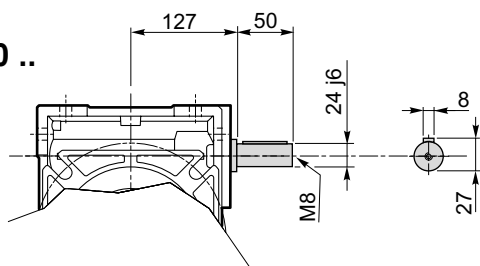
CM 090 U



CM 090 F

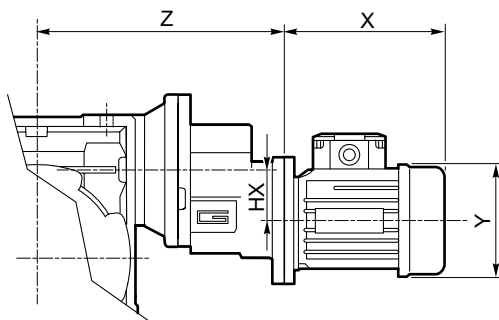


CMIS 090 ..



Albero lento cavo / Hollow output shaft

CMP ..



	HX	Z	Kg
071/090	41	219	15.0
080/090	41	230	15.8
090/090	36.5	284	16.5