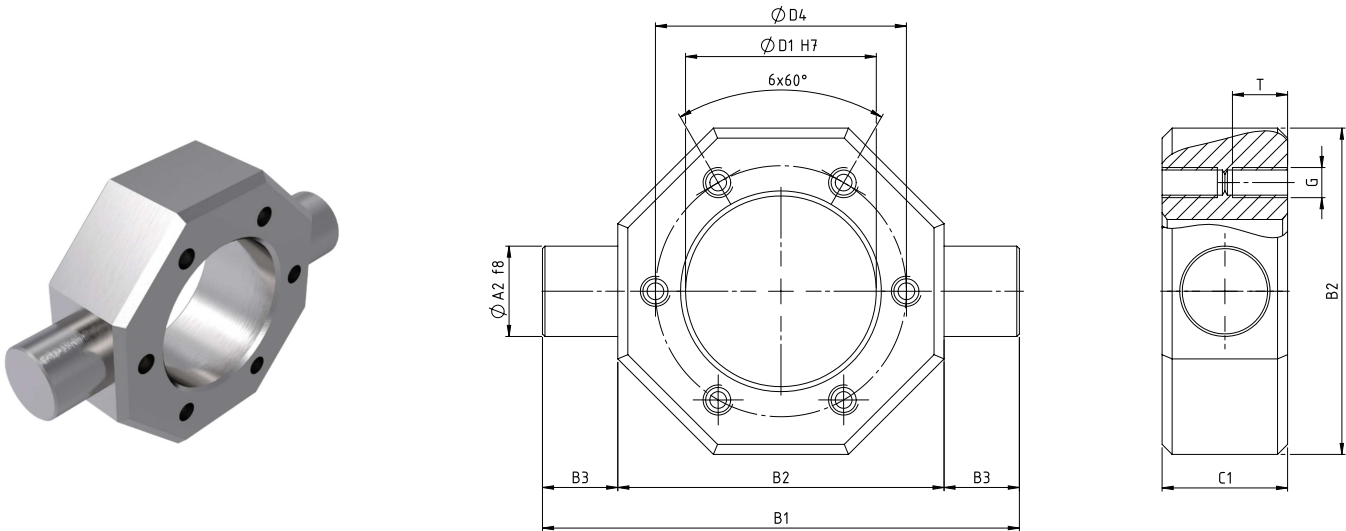


Kardanadapter KAR

Cardan Adapters KAR

Kardanadapter zum kardanischen Aufhängen von Trapezgewindemuttern EFM, Kugelgewindeflanschmuttern KGF-N/KGF-D nach DIN 69051. Unten folgt eine Darstellung beispielhaft für das Bohrbild 3. Für andere Bohrbilder, siehe Katalogdarstellungen Kugelgewindemuttern.

Cardan adapter for gimbaled suspension of trapezoidal nuts EFM, flanged ball nuts KGF-N/KGF-D according to DIN 69051. Below is an example of hole pattern 3. For other hole patterns, see catalogue illustrations of ball nuts.



Technische Daten/Abmessungen Technical data/dimensions

| Größe size | Bohrbild drilling pattern ¹⁾ | Abmessungen dimensions [mm] | | | | | | | | |
|--------------------------------------|---|-----------------------------------|----------------|----------------|----------------|----------------|----------------|----------------|-----|----|
| | | A ₂ | B ₁ | B ₂ | B ₃ | C ₁ | D ₁ | D ₄ | G | T |
| KAR-3 Tr16x4/Tr18x4/KGF-N 1605 | 3 | 12 | 70 | 50 | 10 | 20 | 28 | 38 | M5 | 10 |
| KAR-1 KGF-D 1605/1610 | 1 | 12 | 70 | 50 | 10 | 20 | 28 | 38 | M5 | 10 |
| KAR-3 Tr20x4/Tr24x5/KGF-N 2005 | 3 | 16 | 85 | 58 | 13,5 | 25 | 32 | 45 | M6 | 12 |
| KAR-1 KGF-D 2005 | 1 | 16 | 85 | 58 | 13,5 | 25 | 36 | 47 | M6 | 12 |
| KAR-3 KGF-N 2020/2050 | 3 | 18 | 95 | 65 | 15 | 25 | 35 | 50 | M6 | 12 |
| KAR-3 Tr 30x6/KGF-N 2505 | 3 | 18 | 95 | 65 | 15 | 25 | 38 | 50 | M6 | 12 |
| KAR-1 KGF-D 2505/2510/2520/2525/2550 | 1 | 18 | 95 | 65 | 15 | 25 | 40 | 51 | M6 | 12 |
| KAR-3 Tr36x6/KGF-N 3205 | 3 | 20 | 110 | 75 | 17,5 | 30 | 45 | 58 | M6 | 12 |
| KAR-1 KGF-D 3205 | 1 | 25 | 125 | 85 | 20 | 30 | 50 | 65 | M8 | 12 |
| KAR-3 KGF-N 3210/3240/4005 | 3 | 25 | 125 | 85 | 20 | 30 | 53 | 68 | M6 | 12 |
| KAR-1 KGF-D 3210/3220 | 1 | 25 | 125 | 85 | 20 | 30 | 53 | 65 | M8 | 12 |
| KAR-3 Tr40x7/KGF-N 4010 | 3 | 30 | 140 | 100 | 20 | 40 | 63 | 78 | M8 | 14 |
| KAR-2 KGF-D 4005/4010/4020/4040 | 2 | 30 | 140 | 100 | 20 | 40 | 63 | 78 | M8 | 14 |
| KAR-3 Tr50x8/KGF-N 5010 | 3 | 40 | 165 | 115 | 25 | 50 | 72 | 90 | M10 | 16 |
| KAR-2 KGF-D 5010 | 2 | 40 | 165 | 115 | 25 | 50 | 72 | 93 | M10 | 16 |
| KAR-2 KGF-D 5020 | 2 | 40 | 180 | 130 | 25 | 50 | 85 | 103 | M10 | 16 |
| KAR-3 Tr60x9/KGF-N 6310 | 3 | 40 | 180 | 130 | 25 | 50 | 85 | 105 | M10 | 16 |

¹⁾ Siehe Katalogdarstellung Bohrbild Gewindemutter see catalogue presentation hole pattern nut