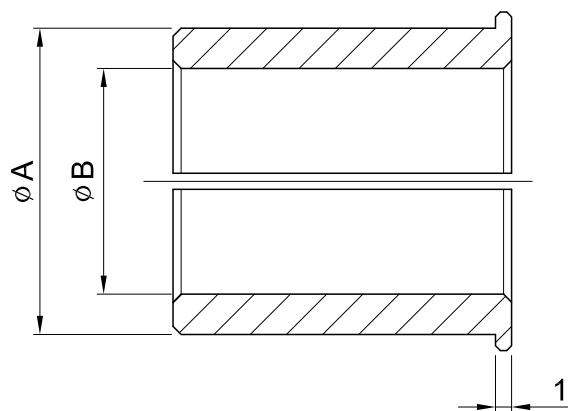


Bushing

軸套

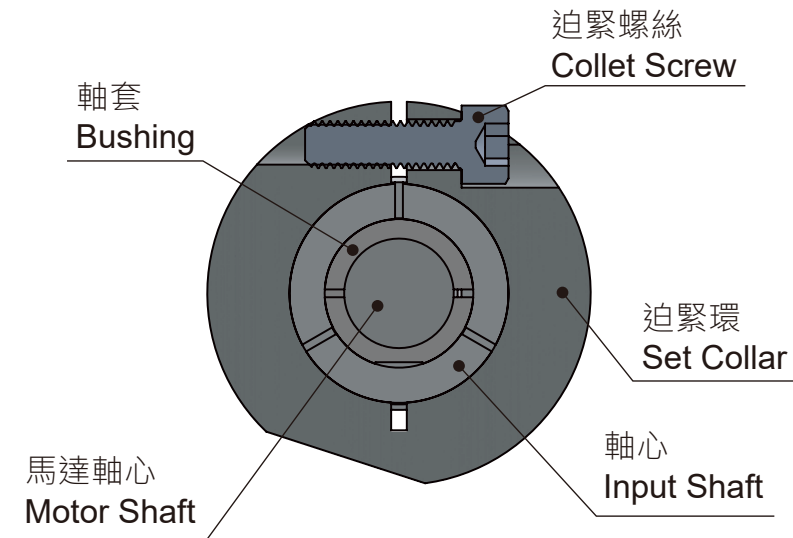


軸套內徑為所使用伺服馬達的輸出軸軸徑。
 下表中沒有的情況下需要插入軸套，在您所使用的輸出軸軸徑的近似值中選擇大值。
 For motor shaft diameters not listed, gearboxes will be supplied with a bush to suit.
 The bore sizes may be supplied as a larger bore with a bush.

連接軸 孔徑 Shaft Bore øA 軸套 孔徑 Bushing Bore øB	8	11	14	19	22	24	28	32	35
6	●	●							
6.35	●								
8		●							
9		●							
10			●						
11			●						
12			●						
12.7			●						
14				●					
15.85				●					
16				●		●	●		
19					●	●	●		
22						●	●	●	
24							●		●
28								●	●
32									●

Collet Locking Mechanism

筒夾式連結機構



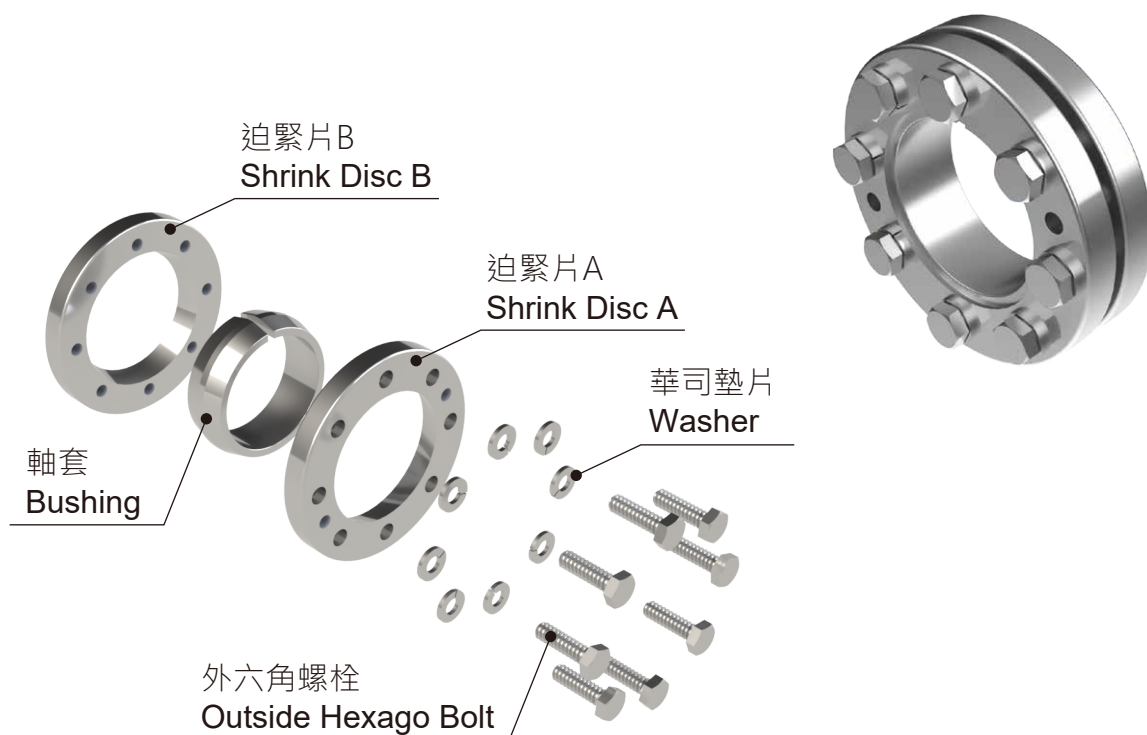
迫緊環螺絲及迫緊環扭矩表 Collet Screw & Collar Torque Table

Model					迫緊環螺絲規格 Spec. of Collet Screw	螺絲強度等級 Screw Grade	螺絲鎖緊扭矩 Tighten Torque (Nm)	迫緊扭矩 Clench Torque (Nm)
ST	HY	WE ANE	PW	GT				
-	55	30 40	30 40	60 85	M4 x P0.7	12.9	4.83	87
65 75	75	50	50 60 70	110 135 170(雙段 2-Stage) 200(雙段 2-Stage)	M5 x P0.8	12.9	10	164
90 110	90 115	60 70	-	170(單段 1-Stage) 200(單段 1-Stage)	M6 x P1.0	12.9	16.3	233
140	130	-	-	-	M8 x P1.25	12.9	41	423
170 210 240	140 160 190 230	-	-	-	M10 x P1.5	12.9	81	678
280	270	-	-	-	M10 x P1.5 M12 x P1.75	12.9	81 110	678 813

※ 馬達扭矩超過迫緊環扭矩時，可能導致打滑。It will cause slip when motor torque exceed clench torque.

Clamping Sets

免鍵式軸套組



免鍵式軸套組 Clamping sets

Model			出力軸孔徑 Output Bore (mm)	螺絲規格 Spec. of Screw	螺絲強度等級 Screw Grade	螺絲鎖緊扭矩 Tighten Torque (Nm)	迫緊扭矩 Clench Torque (Nm)	螺絲數量 Quantity of Screw
ST	HY	WE、PW						
65 75	-	30	Ø14	M6 x P1.0	12.9	16.3	127.53	6
90	-	-	Ø18	M6 x P1.0	12.9	16.3	196.2	6
-	55	40	Ø20	M6 x P1.0	12.9	16.3	196.2	6
110	-	-	Ø22	M6 x P1.0	12.9	16.3	353.6	8
-	75	50 60	Ø25	M6 x P1.0	12.9	16.3	353.6	8
-	90	70	Ø30	M6 x P1.0	12.9	16.3	353.6	8
140	-	-	Ø32	M6 x P1.0	12.9	16.3	735.75	8
170	115	-	Ø40	M8 x P1.25	12.9	41	882	8
-	130	-	Ø48	M8 x P1.25	12.9	41	882	8
210	-	-	Ø50	M8 x P1.25	12.9	41	1400	8
240	-	-	Ø55	M8 x P1.25	12.9	41	2200	8
-	140	-	Ø55	M8 x P1.25	12.9	41	1600	8
-	160	-	Ø60	M8 x P1.25	12.9	41	2200	8
280	-	-	Ø60	M10 x P1.5	12.9	67	2880	8
-	190	-	Ø70	M10 x P1.5	12.9	67	2880	8
-	230	-	Ø80	M12 x P1.75	12.9	116		8
-	270	-	Ø90	M12 x P1.75	12.9	116		8

Selection Table of Motor for Reference

馬達選用參考表

單段 1-Stage

Model	ST	-	-	65	-	75	-	90	-	110	140	170	210	240	280	
	FT	-	60	-	70	-	-	-	-	-	-	-	-	-	-	
	HY	-	55	-	75	-	90	-	-	115	130	140	160	190、230	-	270
	WE	-	30	-	40	50	-	-	60、70	-	-	-	-	-	-	-
	GT	60	-	-	85、110	135	-	-	170、200	-	-	-	-	-	-	-
Power	Input Bore	8	8	9	14	14	14	16	19	19	24	24	35	42	48	55
		8	9	11	14	14	19	19	19	22	28	32	35	48	55	60
100 W	●	●	●													
200 W			●													
400 W			●	●	●	●	●									
750 W					●	●	●	●	●	●						
1 kW						●	●	●	●	●	●					
1.5 kW							●	●	●	●	●					
2.2 kW											●					
3.75 kW											●	●	●			
5.5 kW												●	●			
7.5 kW													●			
11 kW														●		
15 kW														●	●	
22 kW														●	●	●
30kW														●	●	●

雙段 2-Stage

Model	ST	-	-	65、75	75	-	110	140	-	-	170	-	210	240	280		
	FT	-	60	70	-	-	-	-	-	-	-	-	-	-	-		
	HY	-	-	55	75	-	90	115	-	-	130	140	160	190	230、270		
	PW	-	30	40	-	50	-	-	60、70	-	-	-	-	-	-	-	
	GT	60	-	-	-	85、110	135	-	-	-	170	200	-	-	-	-	
Power	Input Bore	8	8	8	11	14	14	16	19	19	22	28	28	35	42	38	
		8	9	9	14	14	16	19	19	24	24	28	32	35	38	48	42
100 W	●	●	●														
200 W			●	●													
400 W			●	●	●	●	●										
750 W				●		●	●	●	●								
1 kW							●		●	●							
1.5 kW							●		●	●							
2.2 kW										●	●	●					
3.75 kW											●	●	●	●			
5.5 kW												●	●	●		●	
7.5 kW													●	●		●	
11 kW															●	●	
15 kW															●	●	
22 kW															●	●	
30 kW															●	●	