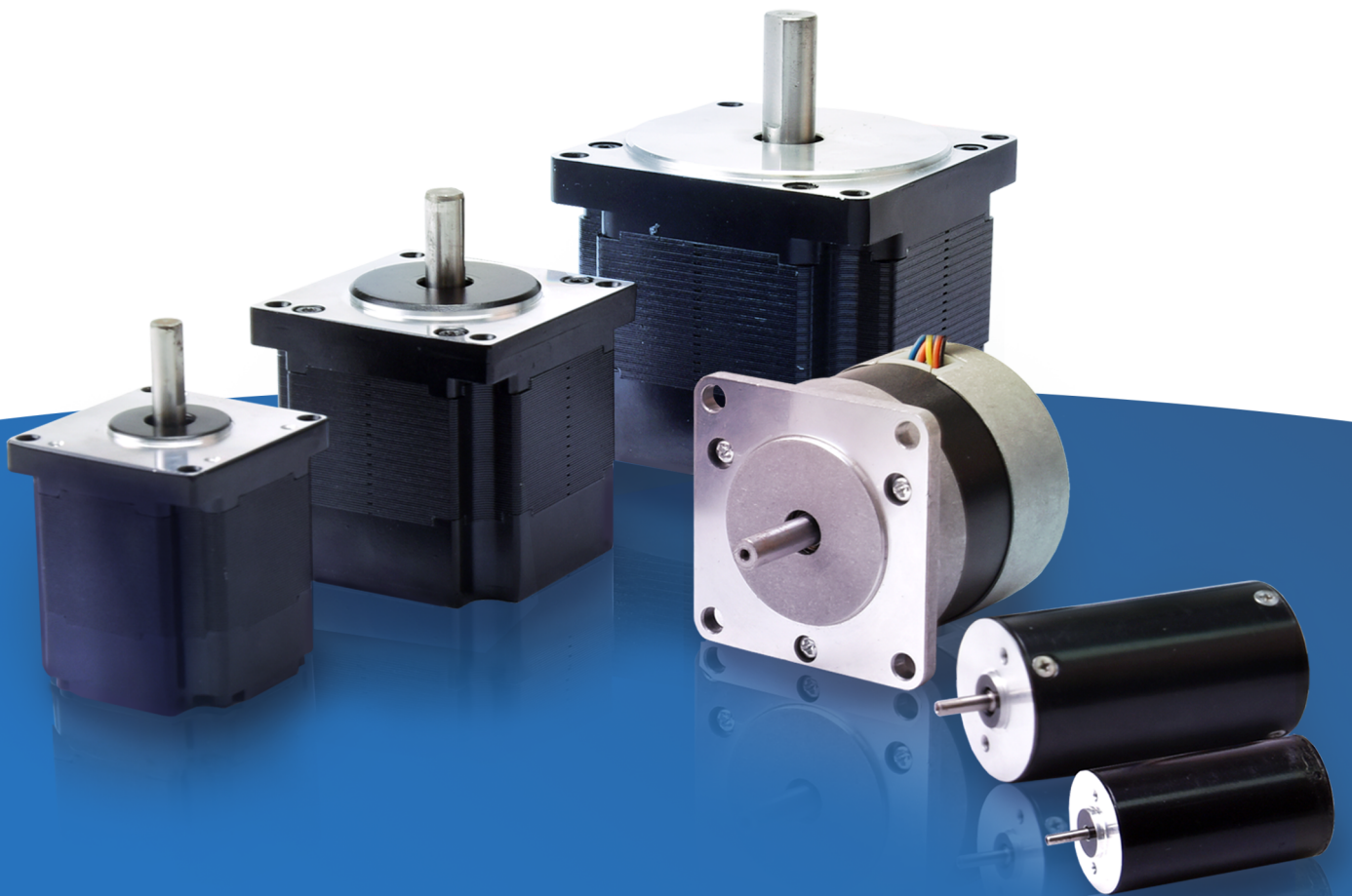


# BLDC



**MOONS'**  
*moving in better ways*





Introduction of BLDC Motors

□ 42 BLDC Motors

□ 57 BLDC Motors

□ 70 BLDC Motors

□ 80 BLDC Motors

Round BLDC Motors

R16 BLDC Motors

R22 BLDC Motors

R30 BLDC Motors

R36 BLDC Motors

R42 BLDC Motors

R57 BLDC Motors

R63 BLDC Motors

# Catalog

- Introduction of BLDC Motors .....01
- 42BLDC Motors .....02
- 57BLDC Motors .....04
- 70BLDC Motors .....06
- 80BLDC Motors .....07
- Round BLDC Motors .....09
- R16BLDC Motors .....10
- R22BLDC Motors .....11
- R30BLDC Motors .....12
- R36BLDC Motors .....13
- R42BLDC Motors .....15
- R57BLDC Motors .....17
- R63BLDC Motors .....19

# Introduction of BLDC Motors

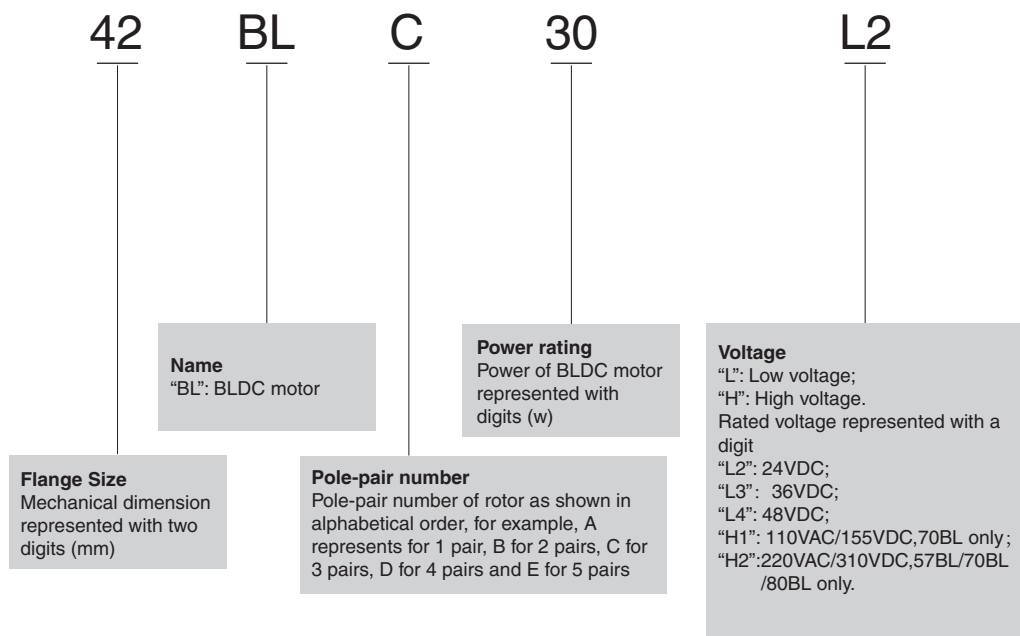
## Characteristics

- Wide range of speed control and smooth torque output
- Excellent speed stability
- Small size, high power
- Low temperature rise, low noise, low vibration
- Long life, low maintenance costs
- Low positioning torque
- Energy efficient

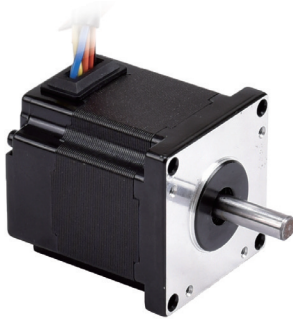
## Applications

- Mechanical automation (textile machines)
- Financial automation (ATM)
- Office equipment (printer)
- Solar energy equipment
- Drive system
- Speed setting and regulation devices in various industries
- Automotive On-board equipment
- Pump (metering pump)
- Food industry
- Sorting equipment

## Model Numbering System



# 42BLDC Motor Series: 42mm, 30-90 Watts



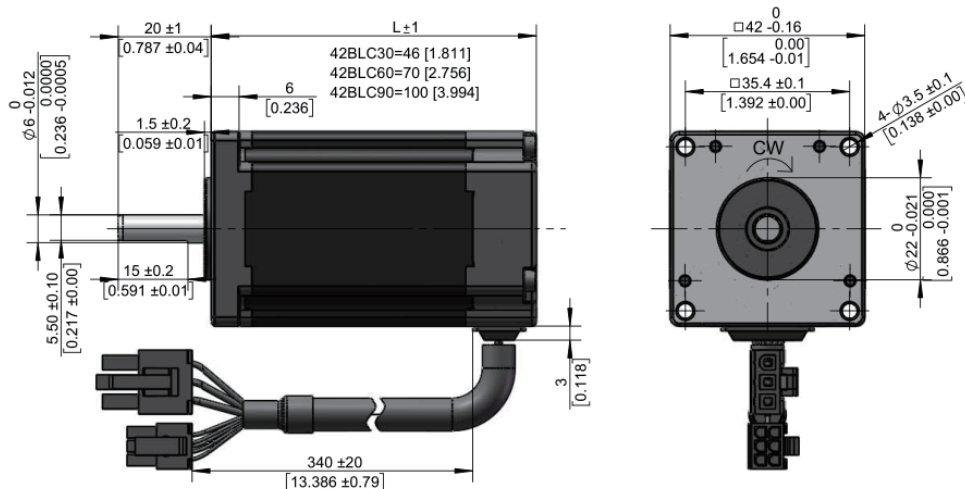
- Commutation Signals
  - Insulation Class
  - Protective Rating
  - Operating Temperature
  - Storage Temperature
  - Operating RH
  - Operating Environment
  - Altitude
- Hall Sensor  
B (130°C )  
IP40  
0 ~ +50°C  
-25 ~ +70°C  
85%RH or Below (non-condensing)  
Indoor, no corrosive gas, no flammable gas, no oil mist, no dust  
1000m max

## Technical Specification

Series		42BLC30		42BLC60		42BLC90	
Length	mm	46		70		100	
Model Number		42BLC30L2	42BLC30L4	42BLC60L2	42BLC60L4	42BLC90L2	42BLC90L4
DC Supply Voltage	V dc	24	48	24	48	24	48
Rated Output Power	Watts	30	30	60	60	90	90
Rated Speed	RPM	4000	4000	4000	4000	4000	4000
Rated Torque	Nm	0.072	0.072	0.144	0.144	0.215	0.215
Rated Current	A rms	1.67	0.81	3.28	1.63	4.92	2.40
Max. Intermitent Torque	Nm	0.216	0.216	0.432	0.432	0.645	0.645
Max. Intermitent Current	A rms	5.01	2.43	9.84	4.89	14.76	7.2
Voltage Constant	Vrms / K RPM	2.95	6.13	3	6	3	6.1
Torque Constant	Nm / A rms	0.043	0.089	0.044	0.088	0.044	0.089
Winding Line Resistance	Ohms	1.34	5.92	0.68	2.62	0.4	1.47
Winding Line Inductance	mH	1.15	5.00	0.60	2.50	0.37	1.57
Max. Mechanical Speed	RPM	5000		5000		5000	
Moment of Inertia	kg m <sup>2</sup>	0.0388 x 10 <sup>-4</sup>		0.072 x 10 <sup>-4</sup>		0.114 x 10 <sup>-4</sup>	
Phases		3		3		3	
Pole-Pairs		3		3		3	

## Mechanical Dimension

Unit: mm

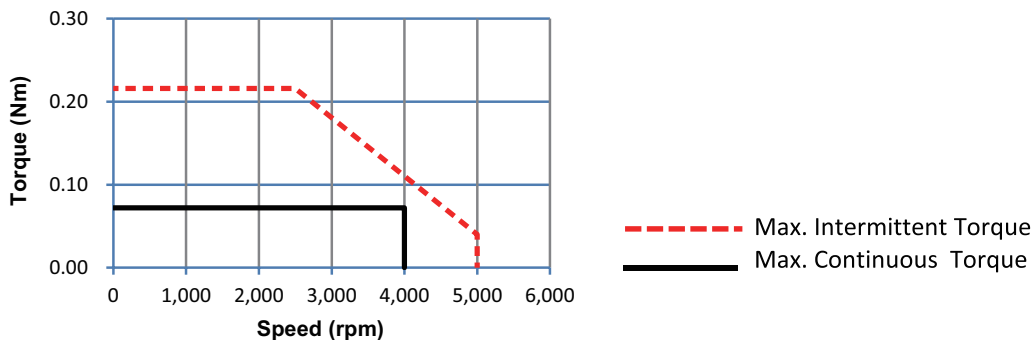


- Introduction of BLDC Motors
- 42 BLDC Motors
- 57 BLDC Motors
- 70 BLDC Motors
- 80 BLDC Motors
- Round BLDC Motors
- R16 BLDC Motors
- R22 BLDC Motors
- R30 BLDC Motors
- R36 BLDC Motors
- R42 BLDC Motors
- R57 BLDC Motors
- R63 BLDC Motors

## Torque - Speed Features

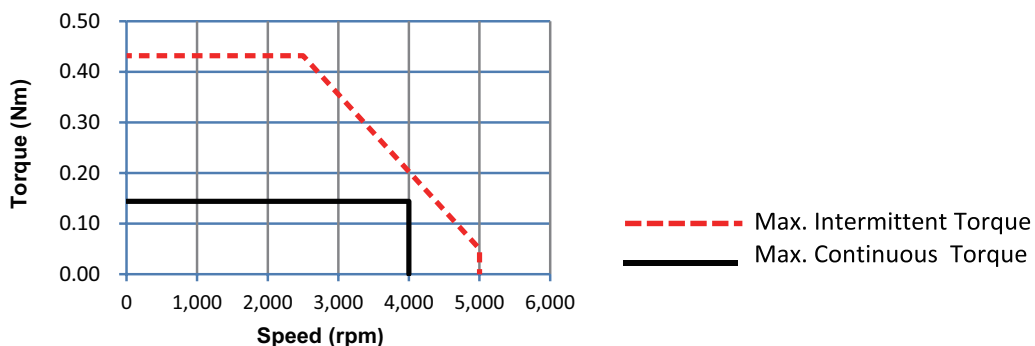
42BLC30L2 (30W,24V)

42BLC30L4 (30W,48V)



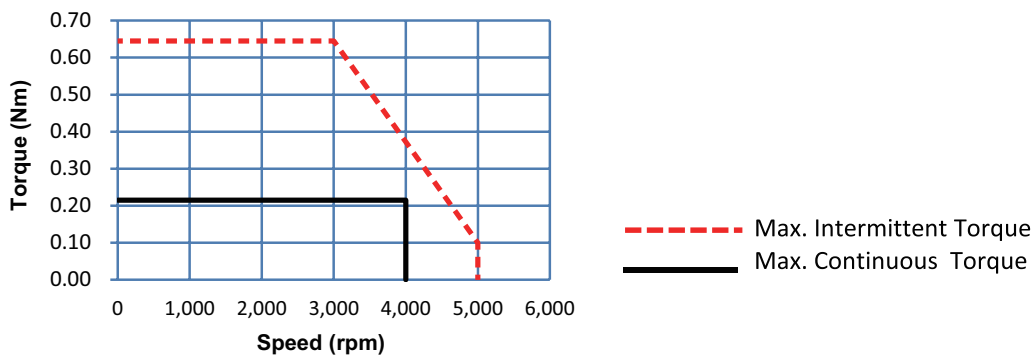
42BLC60L2 (60W,24V)

42BLC60L4 (60W,48V)

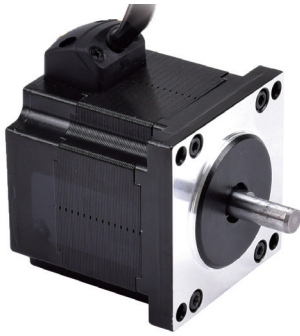


42BLC90L2 (90W,24V)

42BLC90L4 (90W,48V)



# 57BLDC Motor Series: 57mm, 30-180 Watts



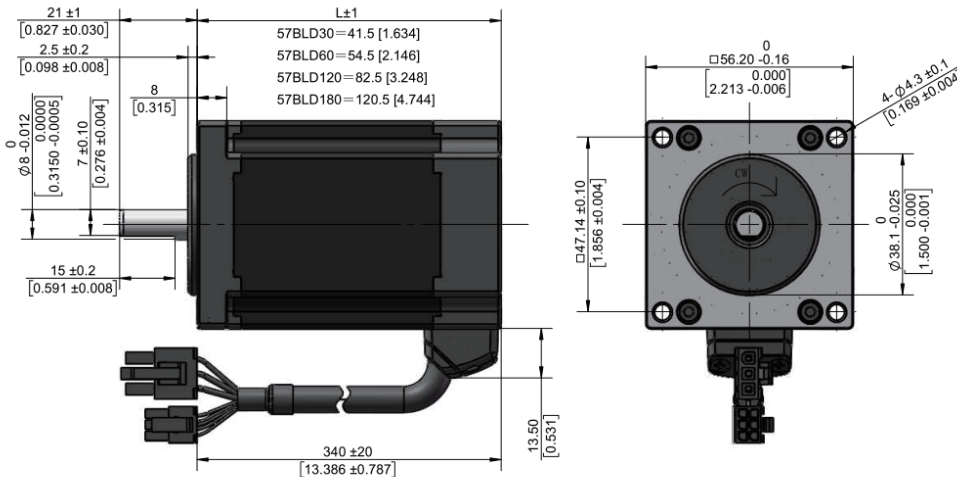
- Commutation Signals
  - Insulation Class
  - Protective Rating
  - Operating Temperature
  - Storage Temperature
  - Operating RH
  - Operating Environment
  - Altitude
- Hall Sensor  
 B (130°C )  
 IP40  
 0 ~ +50°C  
 -25 ~ +70°C  
 85%RH or Below (non-condensing)  
 Indoor, no corrosive gas, no flammable gas, no oil mist, no dust  
 1000m max

## Technical Specification

Series		57BLC30		57BLC60		57BLC120		57BLC180	
Length	mm	41.5		54.5		82.5		120.5	
Model Number		57BLD30L2	57BLD30L4	57BLD60L2	57BLD60L4	57BLD120L2	57BLD120L4	57BLD180L2	57BLD180L4
DC Supply Voltage	V dc	24	48	24	48	24	48	24	48
Rated Output Power	Watts	30	30	60	60	120	120	180	180
Rated Speed	RPM	4000	4000	4000	4000	4000	4000	4000	4000
Rated Torque	Nm	0.072	0.072	0.145	0.145	0.29	0.29	0.43	0.43
Rated Current	A rms	1.71	0.86	3.20	1.60	6.90	3.00	10.50	4.50
Max. Intermitent Torque	Nm	0.216	0.216	0.435	0.435	0.87	0.87	1.29	1.29
Max. Intermitent Current	A rms	5.13	2.58	9.60	4.80	20.70	9.00	31.50	13.50
Voltage Constant	Vrms / K RPM	3.00	6.45	3.08	6.35	3.00	6.40	3.00	6.45
Torque Constant	Nm / A rms	0.042	0.084	0.045	0.090	0.042	0.097	0.041	0.096
Winding Line Resistance	Ohms	0.71	3.25	0.48	1.80	0.18	0.76	0.11	0.44
Winding Line Inductance	mH	0.71	3.25	0.45	1.90	0.18	0.84	0.11	0.54
Max. Mechanical Speed	RPM	500		500		500		500	
Moment of Inertia	kg m <sup>2</sup>	0.087 x 10 <sup>-4</sup>		0.148 x 10 <sup>-4</sup>		0.279 x 10 <sup>-4</sup>		0.456 x 10 <sup>-4</sup>	
Phases		3		3		3		3	
Pole-Pairs		4		4		4		4	

## Mechanical Dimension

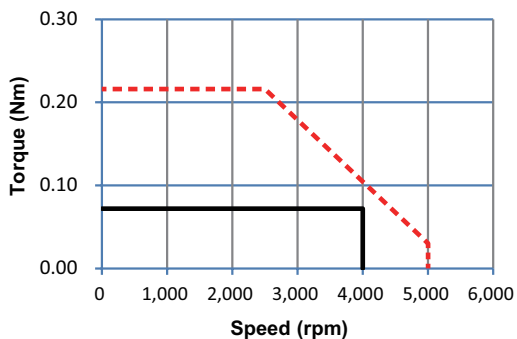
Unit: mm



- Introduction of BLDC Motors
- 42 BLDC Motors
- 57 BLDC Motors
- 70 BLDC Motors
- 80 BLDC Motors
- Round BLDC Motors
- R16 BLDC Motors
- R22 BLDC Motors
- R30 BLDC Motors
- R36 BLDC Motors
- R42 BLDC Motors
- R57 BLDC Motors
- R63 BLDC Motors

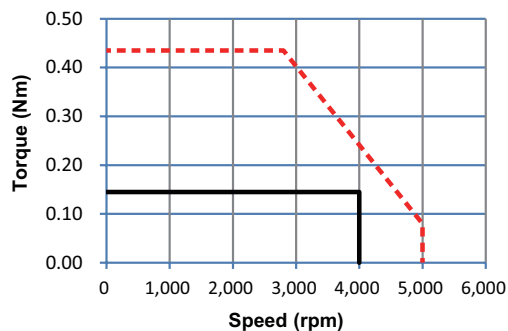
## Torque - Speed Features

57BLD30L2 (30W,24V)  
57BLD30L4 (30W,48V)



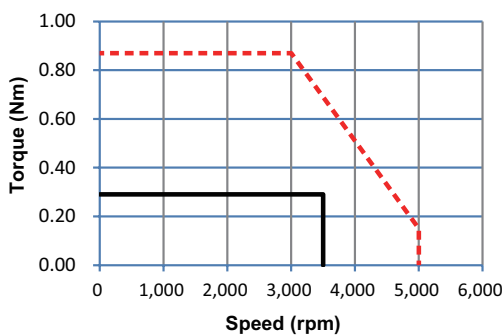
--- Max. Intermittent Torque  
— Max. Continuous Torque

57BLD60L2 (60W,24V)  
57BLD60L4 (60W,48V)



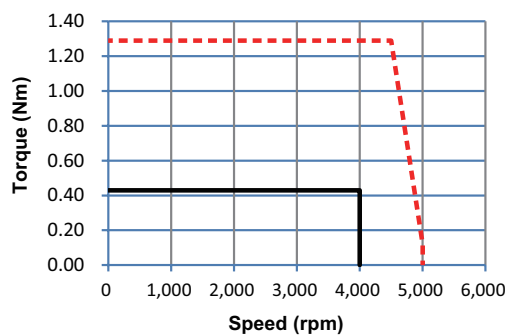
--- Max. Intermittent Torque  
— Max. Continuous Torque

57BLD120L4 (120W,48V)



--- Max. Intermittent Torque  
— Max. Continuous Torque

57BLD180L4 (180W,48V)



--- Max. Intermittent Torque  
— Max. Continuous Torque



# 70BLDC Motor Series: 70mm, 200 Watts



- Commutation Signals
- Insulation Class
- Protective Rating
- Operating Temperature
- Storage Temperature
- Operating RH
- Operating Environment
- Altitude

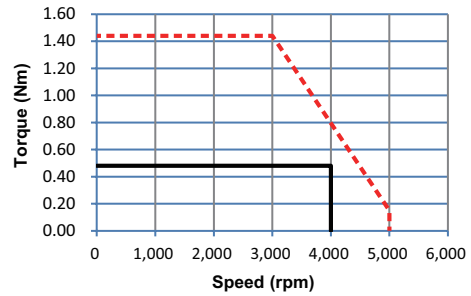
Hall Sensor  
 B (130°C)  
 IP40  
 0 ~ +50°C  
 -25 ~ +70°C  
 85%RH or Below (non-condensing)  
 Indoor, no corrosive gas, no flammable gas, no oil mist, no dust  
 1000m max

## Technical Specification

Series		70BLB200	
Length	mm	81	
Model Number		70BLB200H1	70BLB200H2
DC Supply Voltage	V dc	155	310
Rated Output Power	Watts	200	200
Rated Speed	RPM	4000	4000
Rated Torque	Nm	0.48	0.48
Rated Current	A rms	2.76	1.83
Max. Intermitent Torque	Nm	1.44	1.44
Max. Intermitent Current	A rms	8.28	5.49
Voltage Constant	Vrms / K RPM	15.3	19.3
Torque Constant	Nm / A rms	0.17	0.26
Winding Line Resistance	Ohms	1.50	2.60
Winding Line Inductance	mH	8.00	12.70
Max. Mechanical Speed	RPM	5000	
Moment of Inertia	kg m <sup>2</sup>	0.5 x 10 <sup>-4</sup>	
Phases		3	
Pole-Pairs		2	

## Torque - Speed Features

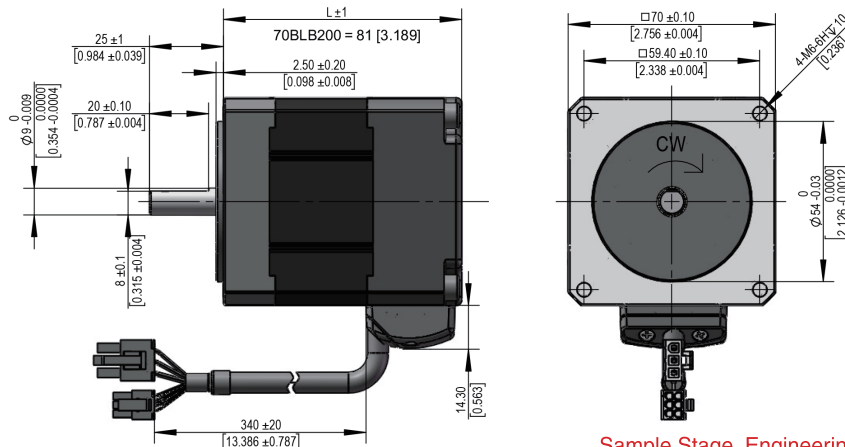
70BLB200H1 (200W,115V)  
 70BLB200H2 (200W,310V)



--- Max. Intermittent Torque  
 — Max. Continuous Torque

## Mechanical Dimension

Unit: mm



Sample Stage, Engineering Sample Available.

Introduction of BLDC Motors

42 BLDC Motors

57 BLDC Motors

70 BLDC Motors

80 BLDC Motors

Round BLDC Motors

R16 BLDC Motors

R22 BLDC Motors

R30 BLDC Motors

R36 BLDC Motors

R42 BLDC Motors

R57 BLDC Motors

R63 BLDC Motors

# 80BLDC Motor Series: 80mm, 100-300 Watts



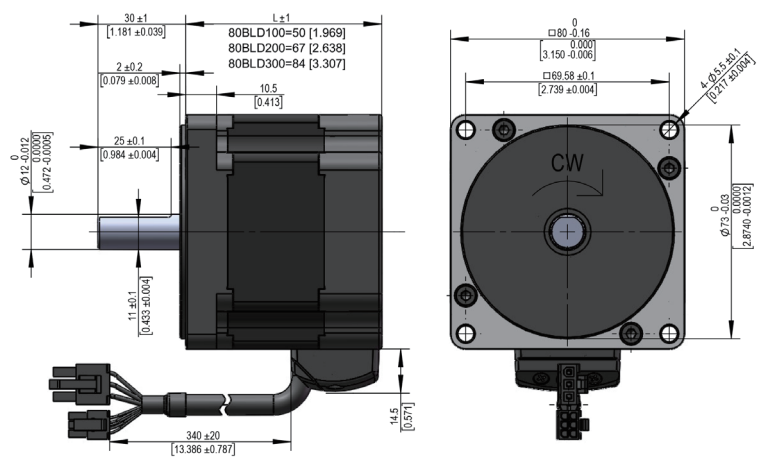
- Commutation Signals
  - Insulation Class
  - Protective Rating
  - Operating Temperature
  - Storage Temperature
  - Operating RH
  - Operating Environment
  - Altitude
- Hall Sensor  
B (130°C)  
IP40  
0 ~ +50°C  
-25 ~ +70°C  
85%RH or Below (non-condensing)  
Indoor, no corrosive gas, no flammable gas, no oil mist, no dust  
1000m max

## Technical Specification

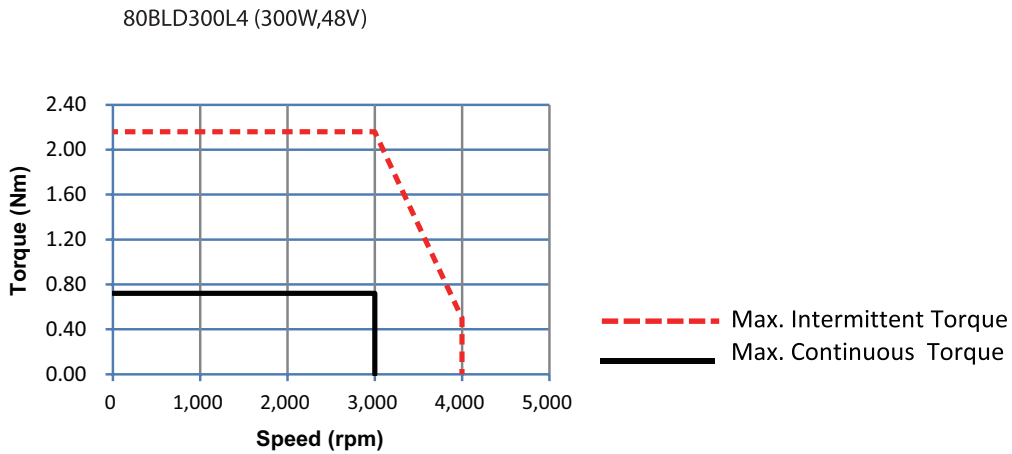
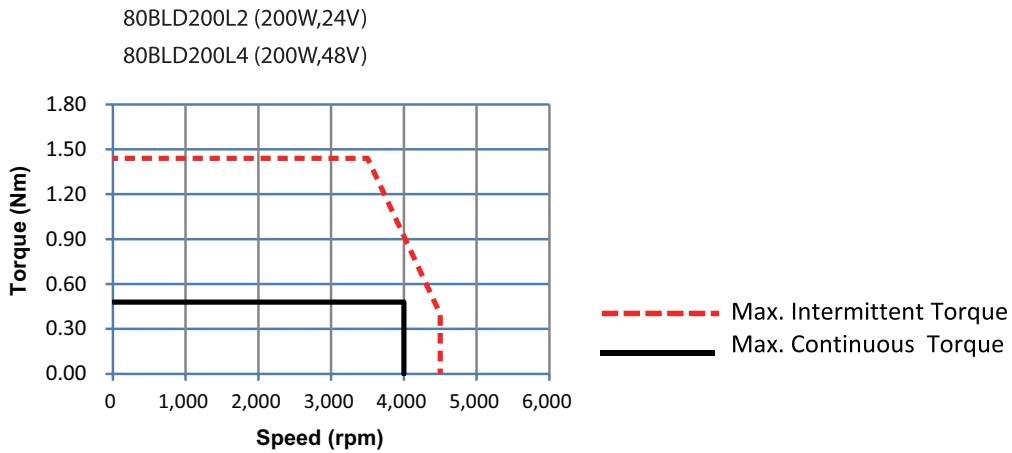
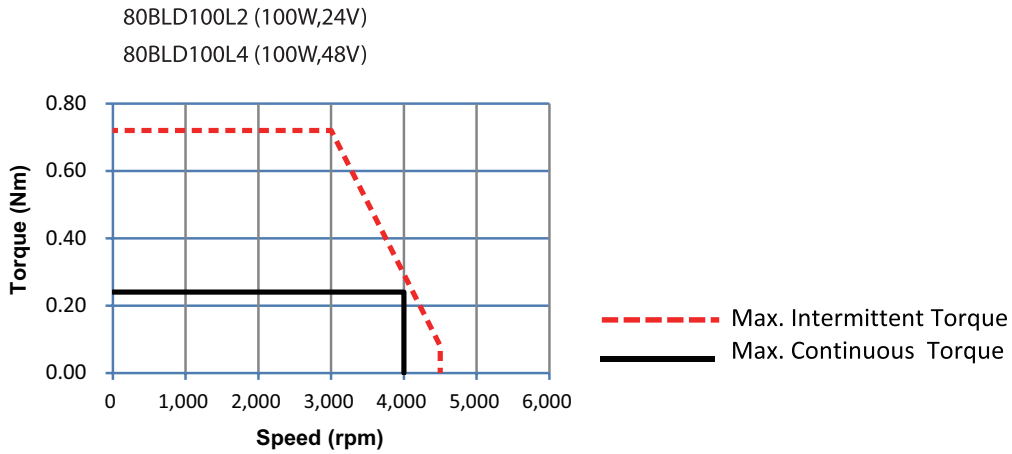
Series		80BLC100		80BLC200		80BLC300	
Length	mm	50		67		84	
Model Number		80BLD100L2	80BLD100L4	80BLD200L2	80BLD200L4	80BLD300L2	80BLD300L4
DC Supply Voltage	V dc	24	48	24	48	24	48
Rated Output Power	Watts	100	100	200	200	300	300
Rated Speed	RPM	4000	4000	4000	4000	3000	4000
Rated Torque	Nm	0.24	0.24	0.48	0.48	0.72	0.72
Rated Current	A rms	5.00	2.43	10.10	5.06	12	7.49
Max. Intermitent Torque	Nm	0.72	0.72	1.44	1.44	2.16	2.16
Max. Intermitent Current	A rms	15.00	7.29	30.30	15.18	36.00	22.47
Voltage Constant	Vrms / K RPM	3.44	6.88	3.38	6.76	4.53	7.03
Torque Constant	Nm / A rms	0.048	0.099	0.048	0.095	0.060	0.096
Winding Line Resistance	Ohms	0.18	0.71	0.08	0.32	0.07	0.20
Winding Line Inductance	mH	0.34	1.35	0.18	0.70	0.19	0.47
Max. Mechanical Speed	RPM	4500		4500		4000	
Moment of Inertia	kg m <sup>2</sup>	0.38x10 <sup>-4</sup>		0.74 x 10 <sup>-4</sup>		1.08 x 10 <sup>-4</sup>	
Phases		3		3		3	
Pole-Pairs		4		4		4	

## Mechanical Dimension

Unit: mm



## Torque - Speed Features



Introduction of BLDC Motors

42 BLDC Motors

57 BLDC Motors

70 BLDC Motors

80 BLDC Motors

Round BLDC Motors

R16 BLDC Motors

R22 BLDC Motors

R30 BLDC Motors

R36 BLDC Motors

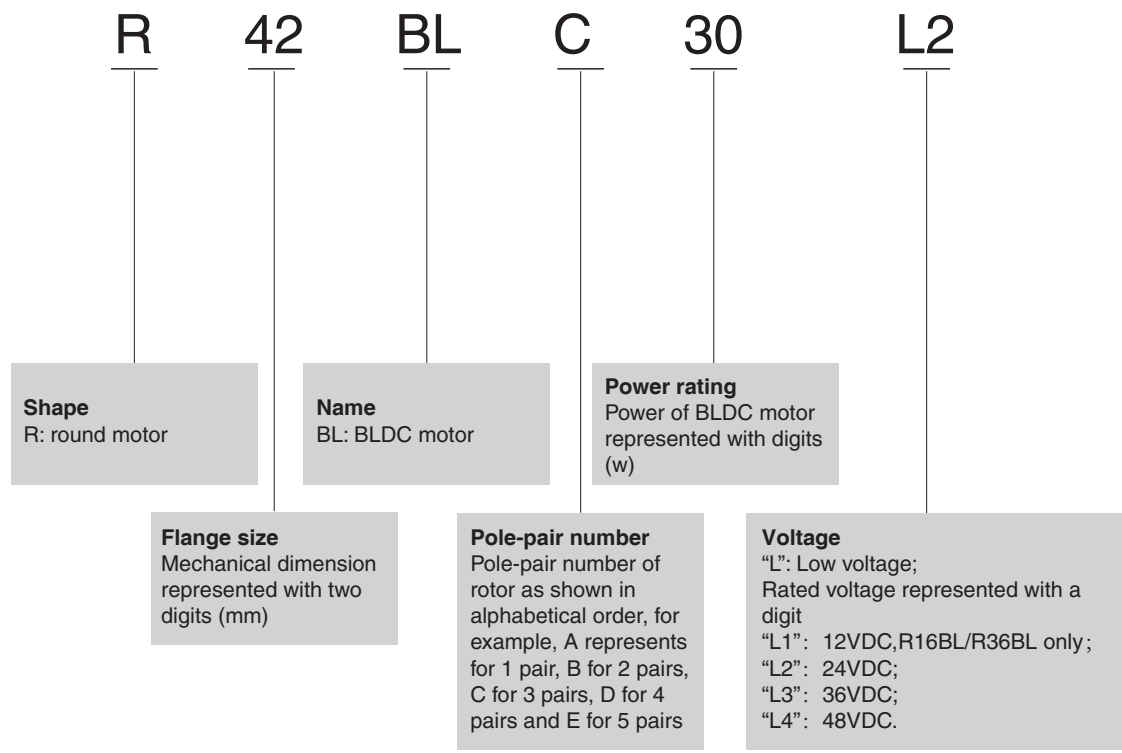
R42 BLDC Motors

R57 BLDC Motors

R63 BLDC Motors

# Round BLDC Motors

## Model Numbering System



Introduction of BLDC Motors

□ 42 BLDC Motors

□ 57 BLDC Motors

□ 70 BLDC Motors

□ 80 BLDC Motors

**Round BLDC Motors**

R16 BLDC Motors

R22 BLDC Motors

R30 BLDC Motors

R36 BLDC Motors

R42 BLDC Motors

R57 BLDC Motors

R63 BLDC Motors

# R16BLDC Motor Series: 16mm, 3 Watts

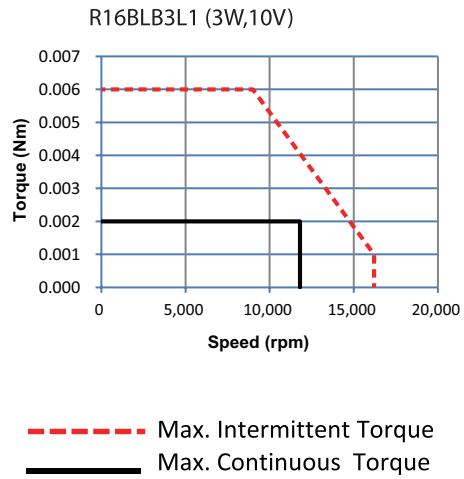


- Commutation Signals
  - Insulation Class
  - Protective Rating
  - Operating Temperature
  - Storage Temperature
  - Operating RH
  - Operating Environment
  - Altitude
- Hall Sensor  
 B (130°C)  
 IP40  
 0 ~ +50°C  
 -25 ~ +70°C  
 85%RH or Below (non-condensing)  
 Indoor, no corrosive gas, no flammable gas, no oil mist, no dust  
 1000m max

## Technical Specification

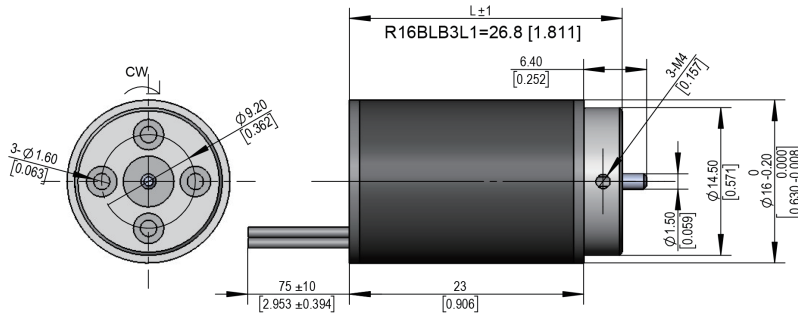
Series		R16BLB3
Length	mm	26.8
Model Number		R16BLB3L1
DC Supply Voltage	V dc	10
Rated Output Power	Watts	3
Rated Speed	RPM	11800
Rated Torque	Nm	0.002
Rated Current	A rms	0.42
Max. Intermitent Torque	Nm	0.006
Max. Intermitent Current	A rms	2.1
Voltage Constant	Vrms / K RPM	0.45
Torque Constant	Nm / A rms	$5.04 \times 10^{-3}$
Winding Line Resistance	Ohms	2.2
Winding Line Inductance	mH	0.3
Max. Mechanical Speed	RPM	16200
Moment of Inertia	kg m <sup>2</sup>	$2.86 \times 10^{-7}$
Phases		3
Pole-Pairs		2

## Torque - Speed Features



## Mechanical Dimension

Unit: mm



Introduction of BLDC Motors

42 BLDC Motors

57 BLDC Motors

70 BLDC Motors

80 BLDC Motors

Round BLDC Motors

R16 BLDC Motors

R22 BLDC Motors

R30 BLDC Motors

R36 BLDC Motors

R42 BLDC Motors

R57 BLDC Motors

R63 BLDC Motors

# 22BLDC Motor Series: 22mm, 7-8.5 Watts



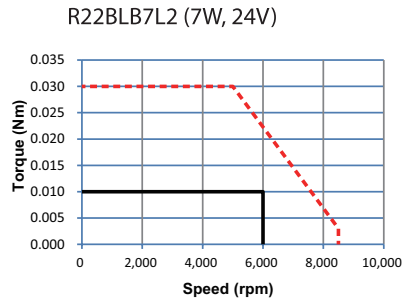
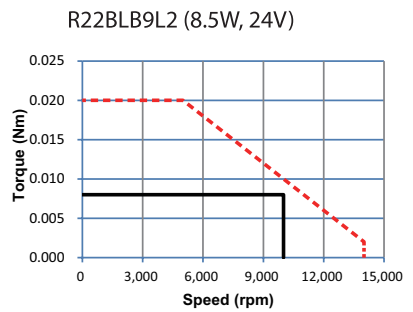
- Commutation Signals
- Insulation Class
- Protective Rating
- Operating Temperature
- Storage Temperature
- Operating RH
- Operating Environment
- Altitude

Hall Sensor  
 B (130°C)  
 IP40  
 0 ~ +50°C  
 -25 ~ +70°C  
 85%RH or Below (non-condensing)  
 Indoor, no corrosive gas, no flammable gas, no oil mist, no dust  
 1000m max

## Technical Specification

Series		R22BLB9	R22BLB7
Length	mm	40	50
Model Number		R22BLB9L2	R22BLB7L2
DC Supply Voltage	V dc	24	24
Rated Output Power	Watts	8.5	7
Rated Speed	RPM	10000	6000
Rated Torque	Nm	0.008	0.01
Rated Current	A rms	0.72	0.54
Max. Intermittent Torque	Nm	0.02	0.03
Max. Intermittent Current	A rms	1.6	1.3
Voltage Constant	Vrms / K RPM	1.16	2.47
Torque Constant	Nm / A rms	0.011	0.019
Winding Line Resistance	Ohms	9.7	13.9
Winding Line Inductance	mH	1.67	3.79
Max. Mechanical Speed	RPM	14000	8900
Moment of Inertia	kg m <sup>2</sup>	1.53 x 10 <sup>-5</sup>	1.02 x 10 <sup>-5</sup>
Phases		3	3
Pole-Pairs		2	2

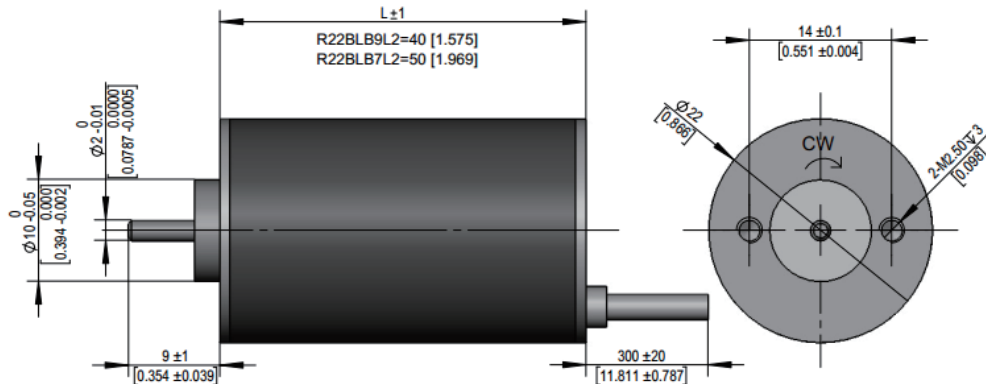
## Torque - Speed Features



--- Max. Intermittent Torque  
 — Max. Continuous Torque

## Mechanical Dimension

Unit: mm



# R30BLDC Motor Series: 30mm, 4-6 Watts

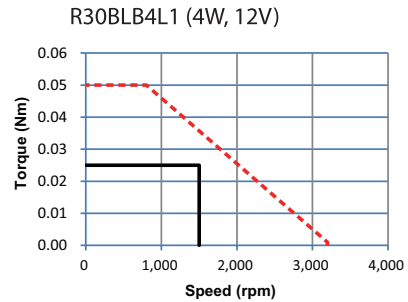
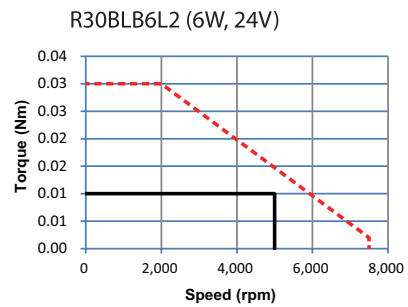


- Commutation Signals
  - Insulation Class
  - Protective Rating
  - Operating Temperature
  - Storage Temperature
  - Operating RH
  - Operating Environment
  - Altitude
- Hall Sensor  
 B (130°C )  
 IP40  
 0 ~ +50°C  
 -25 ~ +70°C  
 85%RH or Below (non-condensing)  
 Indoor, no corrosive gas, no flammable gas, no oil mist, no dust  
 1000m max

## Technical Specification

Series		R30BLB6	R30BLB4
Length	mm	41	56
Model Number		R30BLB6L2	R30BLB4L1
DC Supply Voltage	V dc	24	12
Rated Output Power	Watts	6	4
Rated Speed	RPM	5000	1500
Rated Torque	Nm	0.01	0.025
Rated Current	A rms	0.5	0.7
Max. Intermitent Torque	Nm	0.03	0.05
Max. Intermitent Current	A rms	1.6	1.5
Voltage Constant	Vrms / K RPM	1.56	2.4
Torque Constant	Nm / A rms	0.020	0.036
Winding Line Resistance	Ohms	11.2	6
Winding Line Inductance	mH	8.7	6.7
Max. Mechanical Speed	RPM	7700	3200
Moment of Inertia	kg m <sup>2</sup>	2.04 x 10 <sup>-6</sup>	3.06 x 10 <sup>-6</sup>
Phases		3	3
Pole-Pairs		2	2

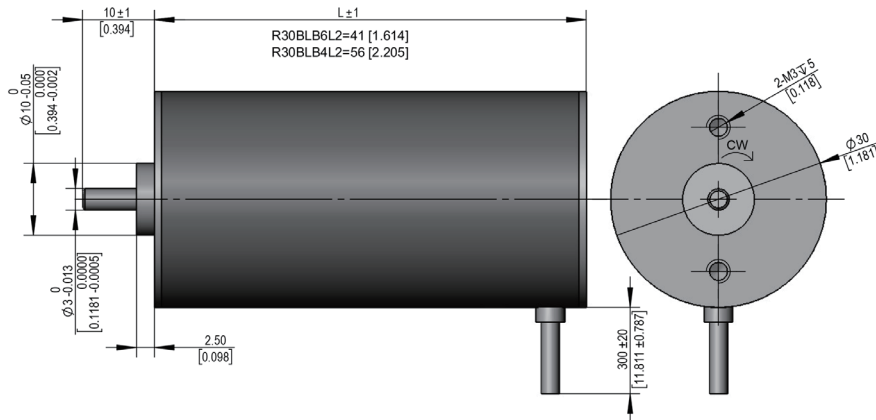
## Torque - Speed Features



--- Max. Intermittent Torque  
 — Max. Continuous Torque

## Mechanical Dimension

Unit: mm



- Introduction of BLDC Motors
- 42 BLDC Motors
- 57 BLDC Motors
- 70 BLDC Motors
- 80 BLDC Motors
- Round BLDC Motors
- R16 BLDC Motors
- R22 BLDC Motors
- R30 BLDC Motors
- R36 BLDC Motors
- R42 BLDC Motors
- R57 BLDC Motors
- R63 BLDC Motors

# R36BLDC Motor Series: 36mm, 4-20 Watts



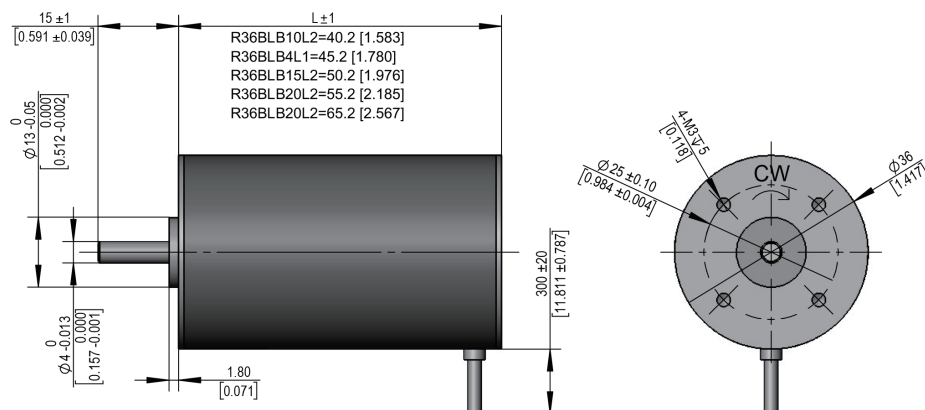
- Commutation Signals
  - Insulation Class
  - Protective Rating
  - Operating Temperature
  - Storage Temperature
  - Operating RH
  - Operating Environment
  - Altitude
- Hall Sensor  
B (130°C)  
IP40  
0 ~ +50°C  
-25 ~ +70°C  
85%RH or Below (non-condensing)  
Indoor, no corrosive gas, no flammable gas, no oil mist, no dust  
1000m max

## Technical Specification

Series		R36BLB10	R36BLB4	R36BLB15	R36BLB20	R36BLB20-1
Length	mm	40.2	45.2	50.2	55.2	65.2
Model Number		R36BLB10L2	R36BLB4L1	R36BLB15L2	R36BLB20L2	R36BLB20L2-1
DC Supply Voltage	V dc	24	12	24	24	24
Rated Output Power	Watts	10	4	15	20	20
Rated Speed	RPM	5000	1800	5000	4000	3000
Rated Torque	Nm	0.019	0.021	0.029	0.048	0.064
Rated Current	A rms	0.75	0.75	0.98	1.3	1.09
Max. Intermitent Torque	Nm	0.057	0.050	0.086	0.140	0.191
Max. Intermitent Current	A rms	2.25	2.25	2.94	3.9	3.27
Voltage Constant	Vrms / K RPM	2.1	2.55	2.76	3.11	4.17
Torque Constant	Nm / A rms	0.025	0.028	0.029	0.037	0.058
Winding Line Resistance	Ohms	5.8	5.5	3.6	2.85	3.3
Winding Line Inductance	mH	8.3	7.8	5.81	4.06	7.1
Max. Mechanical Speed	RPM	7500	3000	7400	5800	4200
Moment of Inertia	kg m <sup>2</sup>	3.148x 10 <sup>-6</sup>	4.197x 10 <sup>-6</sup>	5.248x 10 <sup>-6</sup>	6.296x 10 <sup>-6</sup>	8.395x 10 <sup>-6</sup>
Phases		3	3	3	3	3
Pole-Pairs		2	2	2	2	2

## Mechanical Dimension

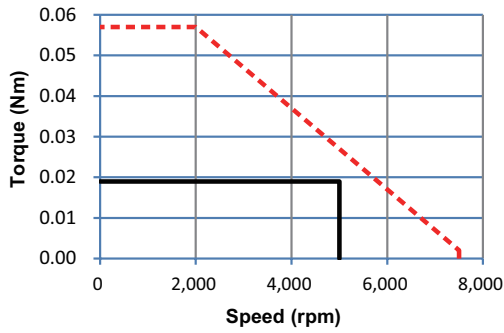
Unit: mm





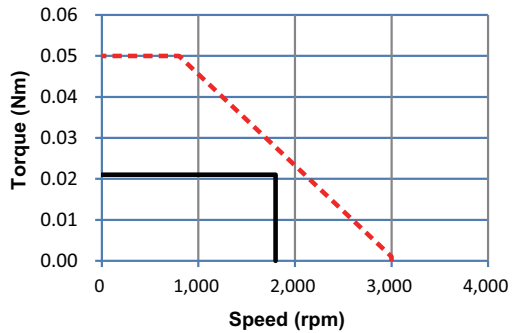
# Torque - Speed Features

R36BLB10L2 (10W, 24V)



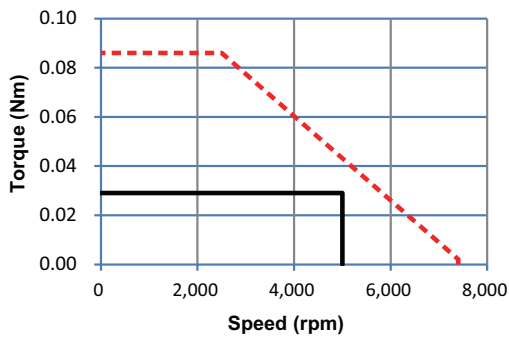
--- Max. Intermittent Torque  
 ——— Max. Continuous Torque

R36BLB4L1 (4W, 12V)



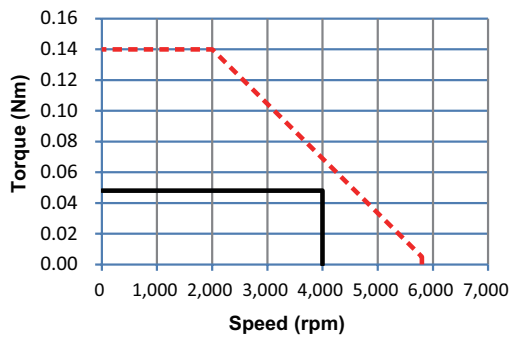
--- Max. Intermittent Torque  
 ——— Max. Continuous Torque

R36BLB15L2 (15W, 24V)



--- Max. Intermittent Torque  
 ——— Max. Continuous Torque

R36BLB20L2 (20W, 24V)



--- Max. Intermittent Torque  
 ——— Max. Continuous Torque

Introduction of BLDC Motors

42 BLDC Motors

57 BLDC Motors

70 BLDC Motors

80 BLDC Motors

Round BLDC Motors

R16 BLDC Motors

R22 BLDC Motors

R30 BLDC Motors

R36 BLDC Motors

R42 BLDC Motors

R57 BLDC Motors

R63 BLDC Motors

# R42BLDC Motor Series: 42mm, 10-75 Watts



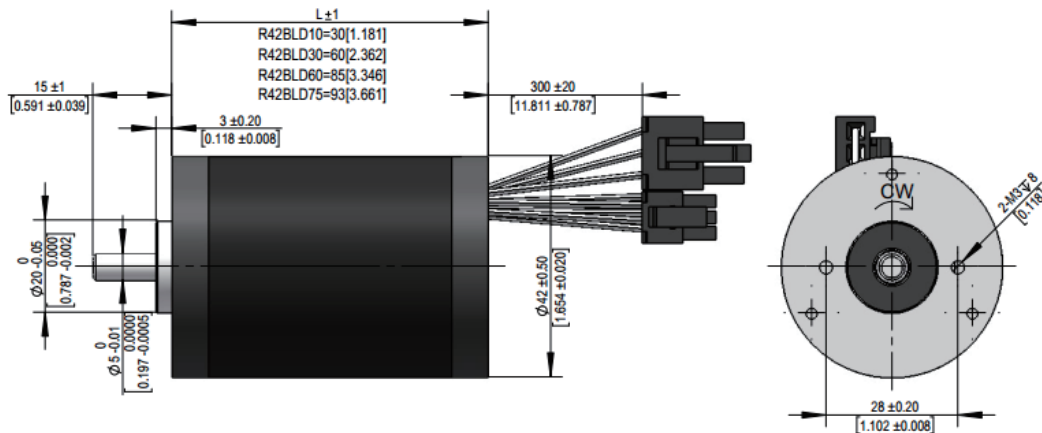
- Commutation Signals
  - Insulation Class
  - Protective Rating
  - Operating Temperature
  - Storage Temperature
  - Operating RH
  - Operating Environment
  - Altitude
- Hall Sensor  
B (130°C)  
IP40  
0 ~ +50°C  
-25 ~ +70°C  
85%RH or Below (non-condensing)  
Indoor, no corrosive gas, no flammable gas, no oil mist, no dust  
1000m max

## Technical Specification

Series		R42BLB13	R42BLD30	R42BLD60	R42BLD75
Length	mm	33	60	83	93
Model Number		R42BLB13L2	R42BLD30L3	R42BLD60L2	R42BLD75L2
DC Supply Voltage	V dc	24	36	24	24
Rated Output Power	Watts	13	30	60	75
Rated Speed	RPM	2000	4000	4000	4000
Rated Torque	Nm	0.062	0.08	0.15	0.18
Rated Current	A rms	0.91	1.67	4.00	4.80
Max. Intermitent Torque	Nm	0.054	0.24	0.45	0.54
Max. Intermitent Current	A rms	1.50	5.00	12.00	14.00
Voltage Constant	Vrms / K RPM	4.3	4.50	2.1	3.00
Torque Constant	Nm / A rms	0.036	0.048	0.060	0.055
Winding Line Resistance	Ohms	7	1.60	2.3	0.50
Winding Line Inductance	mH	6.5	1.90	1.6	0.50
Max. Mechanical Speed	RPM	3300	4500	5000	4500
Moment of Inertia	kg m <sup>2</sup>	2.149x 10 <sup>-4</sup>	0.033x 10 <sup>-4</sup>	0.015x 10 <sup>-4</sup>	0.094x 10 <sup>-4</sup>
Phases		3	3	3	3
Pole-Pairs		2	4	4	4

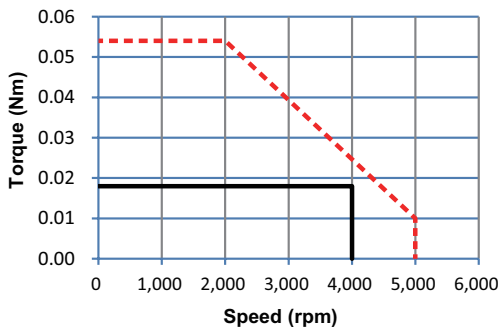
## Mechanical Dimension

Unit: mm



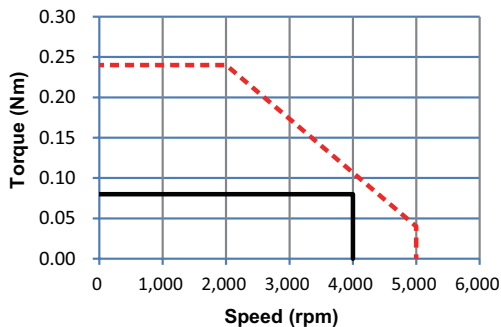
Torque - Speed Features

R42BLB13L2 (13W, 24V)



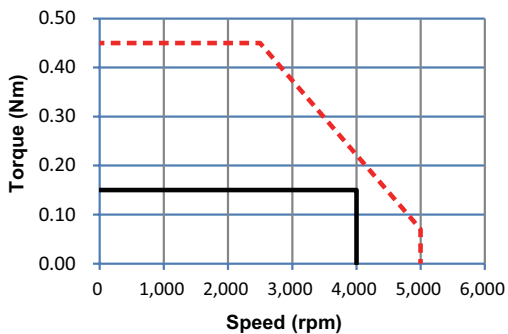
--- Max. Intermittent Torque  
 — Max. Continuous Torque

R42BLD30L3 (30W, 36V)



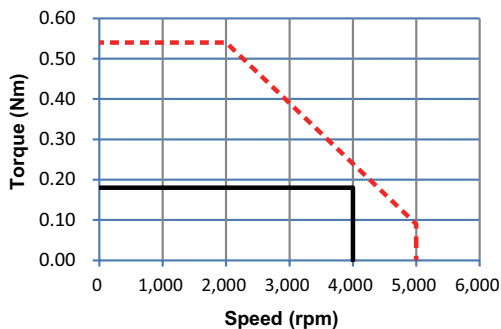
--- Max. Intermittent Torque  
 — Max. Continuous Torque

R42BLD60L2 (60W, 24V)



--- Max. Intermittent Torque  
 — Max. Continuous Torque

R42BLD75L2 (75W, 24V)



--- Max. Intermittent Torque  
 — Max. Continuous Torque

Introduction of BLDC Motors

42 BLDC Motors

57 BLDC Motors

70 BLDC Motors

80 BLDC Motors

Round BLDC Motors

R16 BLDC Motors

R22 BLDC Motors

R30 BLDC Motors

R36 BLDC Motors

R42 BLDC Motors

R57 BLDC Motors

R63 BLDC Motors

# R57BLDC Motor Series: 57mm, 50-180 Watts



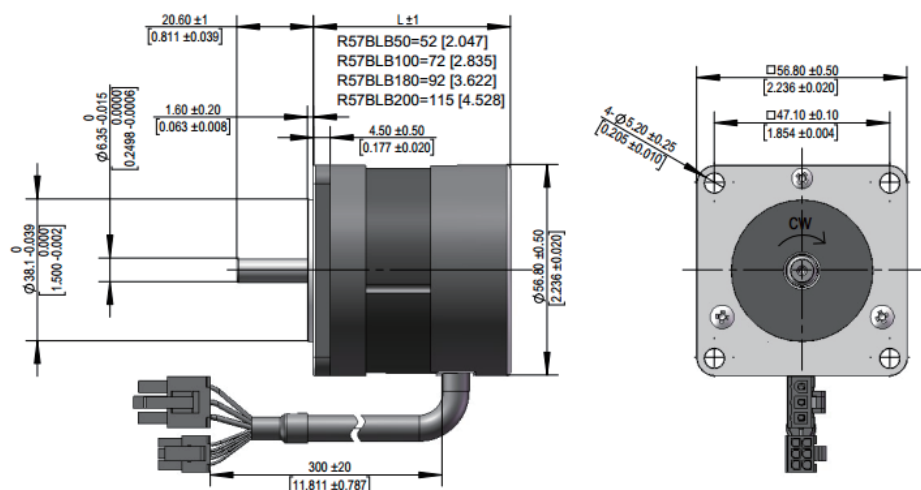
- Commutation Signals
  - Insulation Class
  - Protective Rating
  - Operating Temperature
  - Storage Temperature
  - Operating RH
  - Operating Environment
  - Altitude
- Hall Sensor  
B (130°C )  
IP40  
0 ~ +50°C  
-25 ~ +70°C  
85%RH or Below (non-condensing)  
Indoor, no corrosive gas, no flammable gas, no oil mist, no dust  
1000m max

## Technical Specification

Series		R57BLB50	R57BLB100	R57BLB130	R57BLB180
Length	mm	52.9	72.4	92.9	112.4
Model Number		R57BLB50L2	R57BLB100L2	R57BLB130L3	R57BLB1800L3
DC Supply Voltage	V dc	24	24	36	36
Rated Output Power	Watts	51	100	135	180
Rated Speed	RPM	4000	4000	4000	3175
Rated Torque	Nm	0.13	0.25	0.33	0.55
Rated Current	A rms	3.00	5.85	5.4	6.86
Max. Intermitent Torque	Nm	0.39	0.75	16.20	1.65
Max. Intermitent Current	A rms	9.00	17.55	16.2	20.58
Voltage Constant	Vrms / K RPM	5.0	5.1	7.3	8.3
Torque Constant	Nm / A rms	0.050	0.047	0.062	0.100
Winding Line Resistance	Ohms	0.92	0.32	0.53	0.49
Winding Line Inductance	mH	1.84	0.68	1.29	1.19
Max. Mechanical Speed	RPM	5000	5000	5000	5000
Moment of Inertia	kg m <sup>2</sup>	0.067x 10 <sup>-4</sup>	0.122x 10 <sup>-4</sup>	0.172x 10 <sup>-4</sup>	0.234x 10 <sup>-4</sup>
Phases		3	3	3	3
Pole-Pairs		2	2	2	2

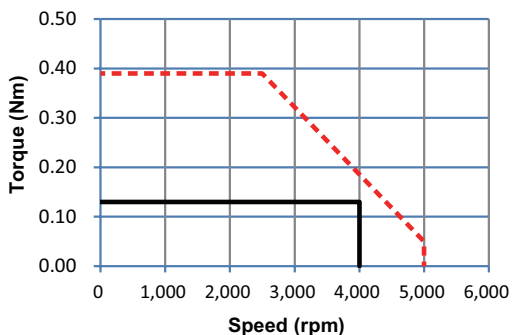
## Mechanical Dimension

Unit: mm



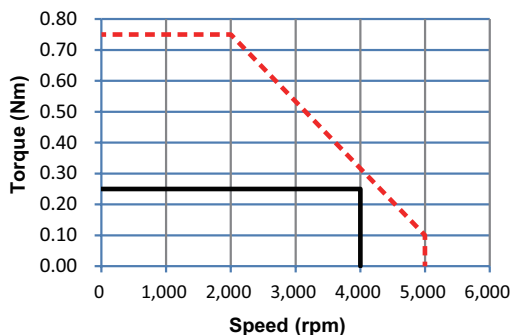
Torque - Speed Features

R57BLB50L2 (50W, 24V)



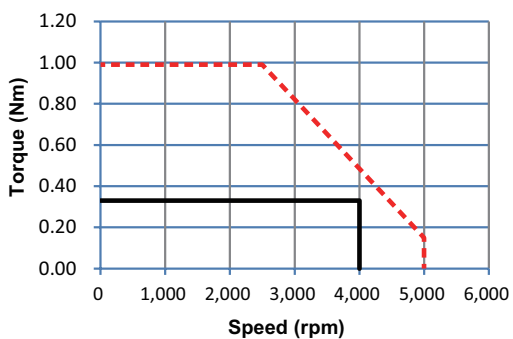
--- Max. Intermittent Torque  
 — Max. Continuous Torque

R57BLB100L2 (100W, 24V)



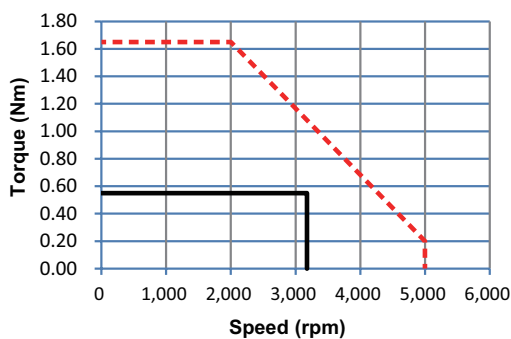
--- Max. Intermittent Torque  
 — Max. Continuous Torque

R57BLB130L3 (130W, 36V)



--- Max. Intermittent Torque  
 — Max. Continuous Torque

R57BLB180L3 (180W, 36V)



--- Max. Intermittent Torque  
 — Max. Continuous Torque

Introduction of BLDC Motors

42 BLDC Motors

57 BLDC Motors

70 BLDC Motors

80 BLDC Motors

Round BLDC Motors

R16 BLDC Motors

R22 BLDC Motors

R30 BLDC Motors

R36 BLDC Motors

R42 BLDC Motors

R57 BLDC Motors

R63 BLDC Motors

# R63BLDC Motor Series: 63mm, 30-60 Watts



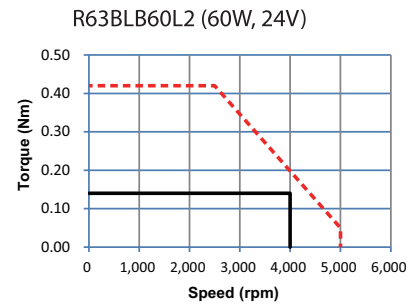
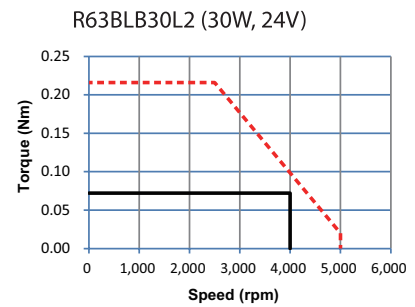
- Commutation Signals
- Insulation Class
- Protective Rating
- Operating Temperature
- Storage Temperature
- Operating RH
- Operating Environment
- Altitude

Hall Sensor  
 B (130°C)  
 IP40  
 0 ~ +50°C  
 -25 ~ +70°C  
 85%RH or Below (non-condensing)  
 Indoor, no corrosive gas, no flammable gas, no oil mist, no dust  
 1000m max

## Technical Specification

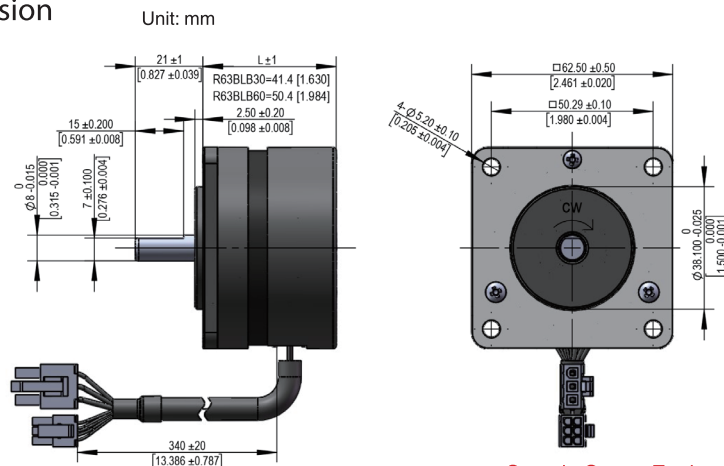
Series		R63BLB30	R63BLB60
Length	mm	41.4	50.4
Model Number		R63BLB30L2	R63BLB60L2
DC Supply Voltage	V dc	24	24
Rated Output Power	Watts	30	60
Rated Speed	RPM	4000	4000
Rated Torque	Nm	0.072	0.14
Rated Current	A rms	1.8	3
Max. Intermittent Torque	Nm	0.216	0.42
Max. Intermittent Current	A rms	5.4	9
Voltage Constant	Vrms / K RPM	3	3.3
Torque Constant	Nm / A rms	0.040	0.047
Winding Line Resistance	Ohms	1.15	0.59
Winding Line Inductance	mH	1.6	0.8
Max. Mechanical Speed	RPM	5000	5000
Moment of Inertia	kg m <sup>2</sup>	0.08x 10 <sup>-4</sup>	0.1x 10 <sup>-4</sup>
Phases		3	3
Pole-Pairs		2	2

## Torque - Speed Features



--- Max. Intermittent Torque  
 — Max. Continuous Torque

## Mechanical Dimension



Sample Stage, Engineering Sample Available.



## ■ MOONS' Headquarter

### Shanghai

168 Mingjia Road, Minhang District,  
Shanghai 201107, P.R. China  
Tel: +86 (0)21 52634688  
Fax: +86 (0)21 52634098

## ■ Domestic Sales Offices

### Shenzhen

Room 503, Building A7, Nanshan iPark,  
No. 1001, Xueyuan Ave, Nanshan District,  
Shenzhen 518071, P.R. China  
Tel: +86 (0)755 25472080  
Fax: +86 (0)755 25472081

### Beijing

Room 1206, Jing Liang Mansion, No. 16  
Middle Road of East 3rd Ring, Chaoyang  
District, Beijing 100022, P.R. China  
Tel: +86 (0)10 87661889  
Fax: +86 (0)10 87661880

### Nanjing

Room 1101-1102, Building 2, New Town  
Development Center, No. 126 Tianyuan  
Middle Road, Jiangning District,  
Nanjing 211106, P.R. China  
Tel: +86 (0)25 52785841  
Fax: +86 (0)25 52785485

### Qingdao

Room 1012, Zhuoyue Tower,  
No. 16 Fengcheng Road, Shibei District,  
Qingdao 266000, P.R. China  
Tel: +86 (0)532 80969935  
Fax: +86 (0)532 80919938

### Wuhan

Room 3001, World Trade Tower,  
686 Jiefang Avenue, Jiangnan District,  
Wuhan 430022, P.R. China  
Tel: +86 (0)27 85448742  
Fax: +86 (0)27 85448355

### Chengdu

Room. 3907, Maoye Plaza, No. 19,  
Dongyu Street, Jinjiang Distrit,  
Chengdu, 610066, P.R. China  
Tel: +86 (0)28 85268102  
Fax: +86 (0)28 85268103

### Xi' an

Room 1006, Tower D, Wangzuo  
International City, 1 Tangyan Road,  
Yanta District, Xi' an 710065, P.R. China  
Tel: +86 (0)29 81870400  
Fax: +86 (0)29 81870340

### Ningbo

Room 309, Tower B, Taifu Plaza,  
565 Jiangjia Road, Jiangdong District,  
Ningbo 315040, P.R. China  
Tel: +86 (0)574 87052739  
Fax: +86 (0)574 87052365

## Guangzhou

Room 4006, Tower B, China Shine Plaza,  
9 Linhe Xi Road, Tianhe District,  
Guangzhou 510610, P.R. China  
Tel: +86 (0)20 38010153  
Fax: +86 (0)20 38103661

## Chongqing

Rm. 2108, South yuanzhu Buliding 20,  
No. 18 Fuquan Rd. , Jiangbei District,  
Chongqing 400000, P.R. China.  
Tel: +86 (0)23 67601782  
Fax: +86 (0)23 67085997

## ■ MOONS' International Trading Shanghai Company

4/F, Building 30, No. 69 Guiqing Road,  
Caohejin Hi-Tech Park, Xuhui District,  
Shanghai 200233, P.R. China  
Tel: +86 (0)21 64952755  
Fax: +86 (0)21 64859949

## ■ Changzhou Yunkong Electronic Co., Ltd.

BLDC.2, Henglin Technology Innovation  
Center No. 88 East Changhong Road Wujin  
District, Changzhou 213100, P.R. China  
Tel: +86 (0)519 88700355  
Fax: +86 (0)519 88700229

## ■ Lin Engineering At Nanjing

No. 1 Xinke 1st Road, Pukou High-tech  
Development Zone, Pukou District, Nanjing  
210032, P.R. China  
Tel: +86 (0)25 58844665  
Fax: +86 (0)25 58690086

## ■ North America

### MOONS' INDUSTRIES (AMERICA), INC.

Head Office  
1113 North Prospect Avenue, Itasca, IL 60143 USA  
Tel: +1 630 8335940  
Fax: +1 630 8335946

### Boston Office

36 Cordage Park Circle, Suite 310  
Plymouth, MA 02360 USA

### APPLIED MOTION PRODUCTS, INC.

404 Westridge Dr. Watsonville, CA 95076, USA  
Tel: +1 831 7616555

### LIN ENGINEERING, INC.

16245 Vineyard Blvd., Morgan Hill, CA 95037  
Tel: +1 408 9190200  
Fax: +1 408 9190201

## ■ Europe

### MOONS' INDUSTRIES (EUROPE) S.R.L.

Via Torri Bianche n.1 20871  
Vimercate(MB) Italy  
Tel: +39 (0)39 6260521  
Fax: +39 (0)39 9631409

### AMP & MOONS' AUTOMATION (GERMANY) GMBH

Börsenstraße 14  
60313 Frankfurt am Main Germany

### TECHNO SOFT S.A.

Technosoft (Suisse) SA  
Avenue des Alpes 20, 2000 Neuchâtel,  
Switzerland.  
Tel: +41 (0)32 7325500  
Fax: +41 (0)32 7325504

### TECHNO SOFT International

Strada Paduretu nr. 50, Sector 6 061992  
Bucuresti ROMANIA  
Tel: +40 (0)21 4259095  
Fax: +40 (0)21 4259097

## ■ South-East Asia

### MOONS' INDUSTRIES (SOUTH-EAST ASIA) PTE. LTD.

33 Ubi Avenue 3 #08-23  
Vertex Singapore 408868  
Tel: +65 66341198  
Fax: +65 66341138

## ■ Japan

### MOONS' INDUSTRIES JAPAN CO., LTD.

Room 601, 6F, Shin Yokohama Koushin  
Building, 2-12-1, Shin-Yokohama,  
Kohoku-ku, Yokohama, Kanagawa,  
222-0033, Janpan  
Tel: +81 (0)45 4755788  
Fax: +81 (0)45 4755787



[http:// www.moons.com.cn](http://www.moons.com.cn)  
E-mail: [info@moons.com.cn](mailto:info@moons.com.cn)

**MOONS'**  
moving in better ways

- All specifications and technical parameters of the products provided in this catalog are for reference only, and are subject to change without notice. For details, please contact our sales team.