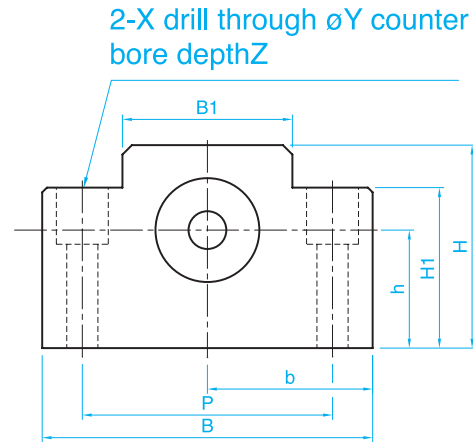
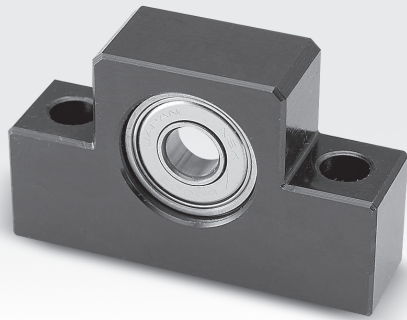
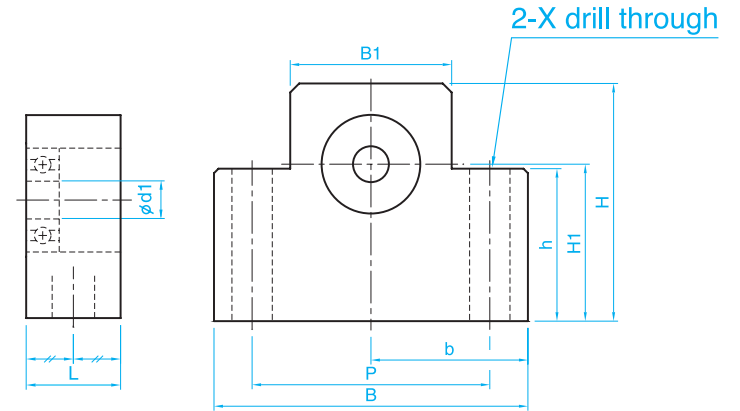


# EF

## Floated Side



EF6, 8



EF10 ~ 20

Unit : mm

Model No.	d1	L	B	H	$b^{\pm 0.02}$	$h^{\pm 0.02}$	B1	H1	P	X	Y	Z
EF 6	6	12	42	25	21	13	18	20	30	5.5	9.5	11
EF 8	6	14	52	32	26	17	25	26	38	6.6	11	12
EF 10	8	20	70	43	35	25	36	24	52	9	-	-
EF 12	10	20	70	43	35	25	36	24	52	9	-	-
EF 15	15	20	80	49	40	30	41	25	60	9	-	-
EF 20	20	26	95	58	47.5	30	56	25	75	11	-	-